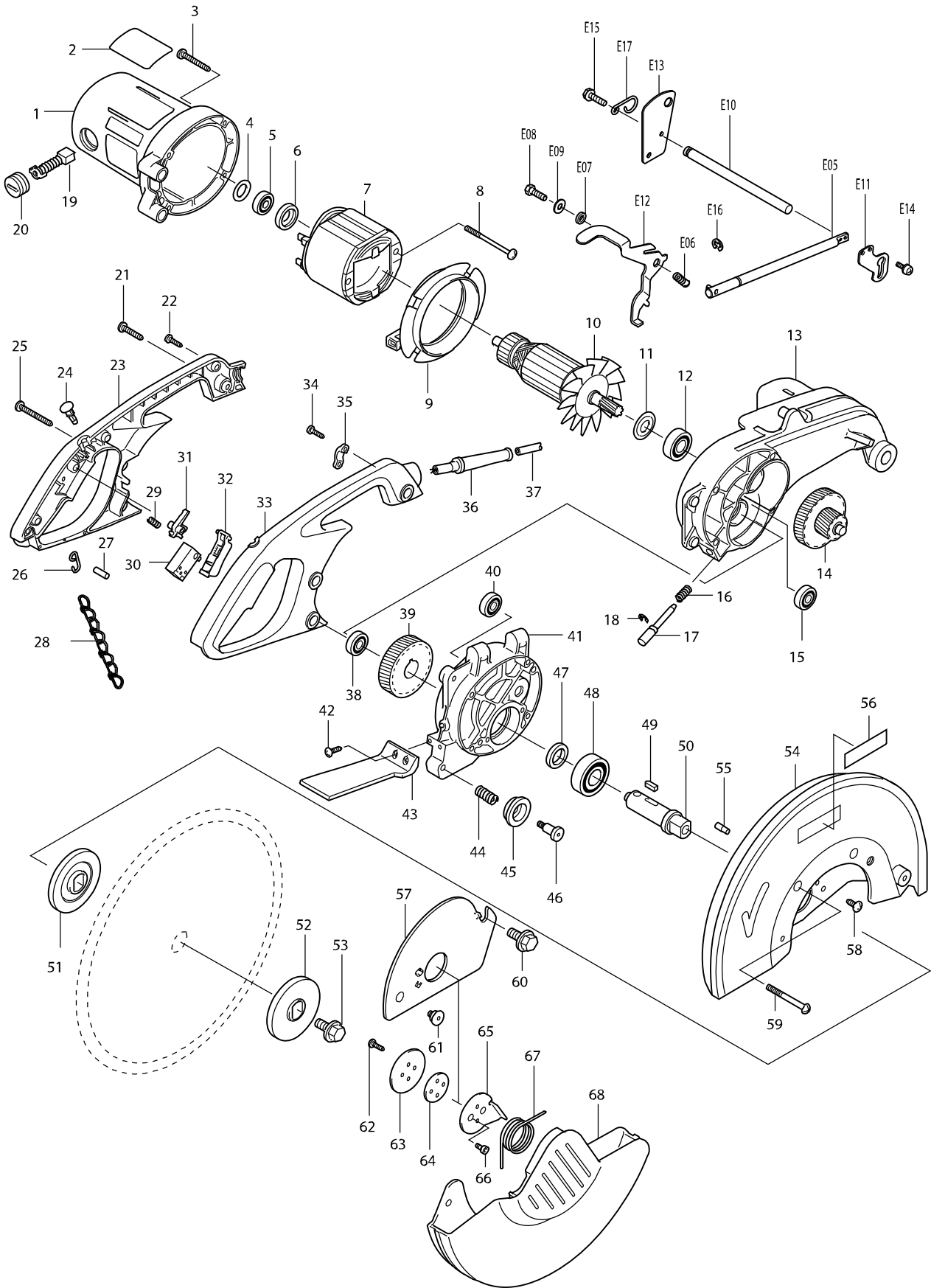


Model No. LC1230 METAL CUTTING SAW 305MM



Model No. LC1230 METAL CUTTING SAW 305MM

