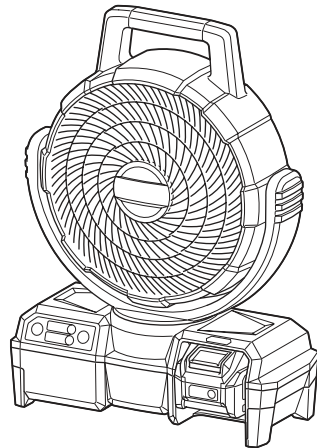
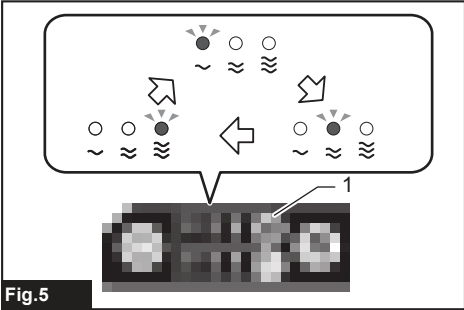
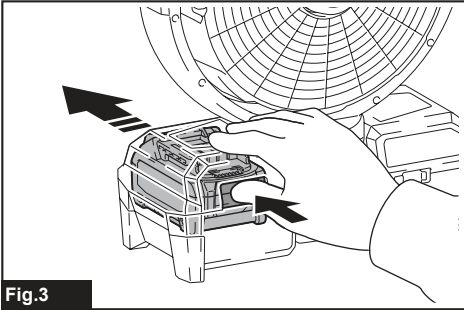
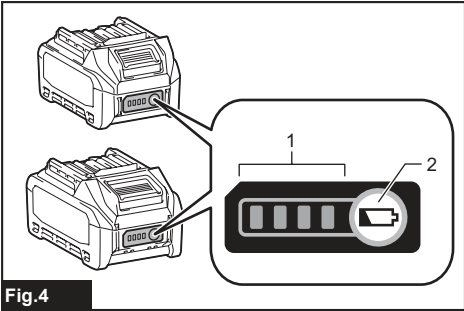
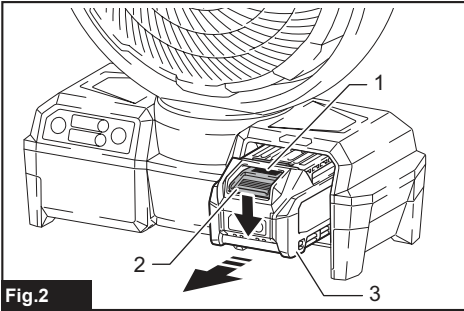
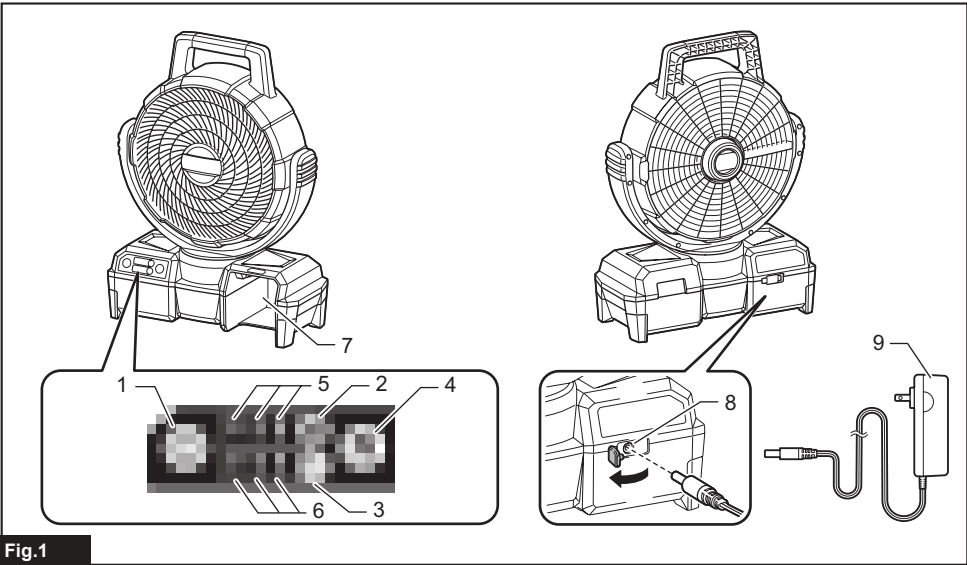


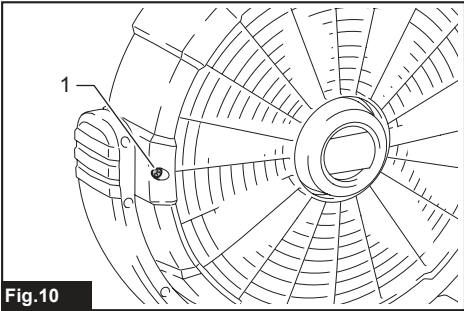
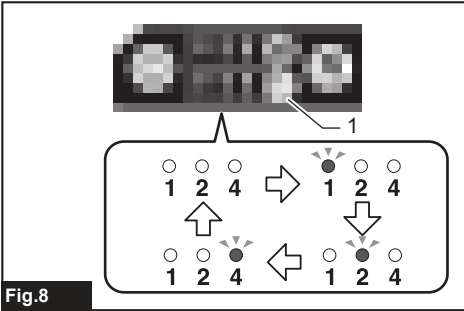
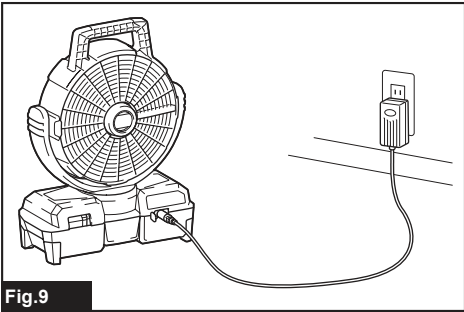
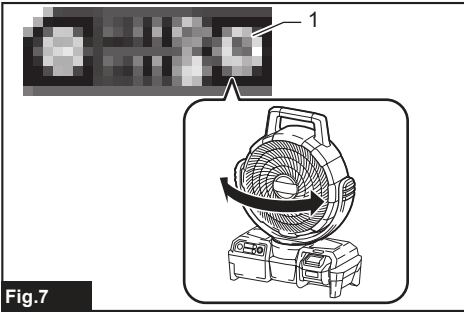
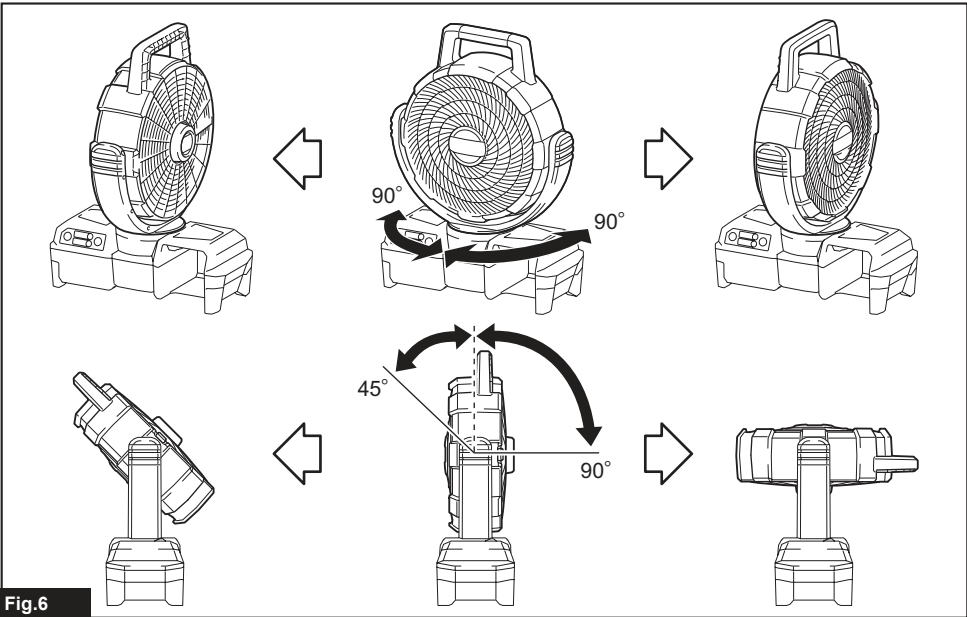


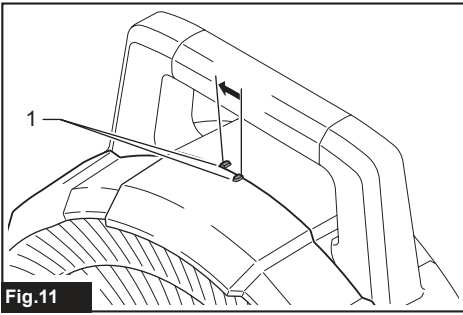
EN	Cordless Fan	INSTRUCTION MANUAL	5
ZHCN	充电式风扇	使用说明书	12
ID	Kipas Nirkabel	PETUNJUK PENGGUNAAN	19
MS	Kipas Tanpa Kord	MANUAL ARAHAN	27
VI	Quạt Hoạt Động Bằng Điện Và Pin	TÀI LIỆU HƯỚNG DẪN	34
TH	พัดลมไร้สาย	คู่มือการใช้งาน	41
ZHTW	充電式電風扇	使用說明書	49
KO	충전 선풍기	취급 설명서	56
PTBR	Ventilador a Bateria	MANUAL DE INSTRUÇÕES	62
ES	Ventilador Inalámbrico	MANUAL DE INSTRUCCIONES	70
AR	المروحة اللاسلكية	دليل الإرشادات	83
FA	پنکه شارژی	دفترچه راهنما	89

## CF001G

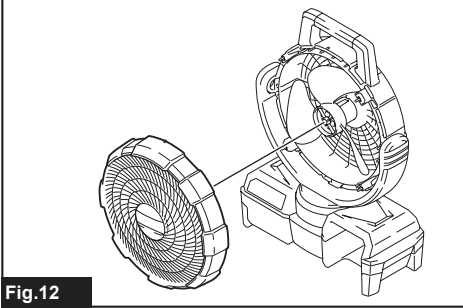








**Fig.11**



**Fig.12**

## WARNING

- For users in Europe: This appliance can be used by children aged from 8 years and above and persons with reduced physical, sensory or mental capabilities or lack of experience and knowledge if they have been given supervision or instruction concerning use of the appliance in a safe way and understand the hazards involved. Children shall not play with the appliance. Cleaning and user maintenance shall not be made by children without supervision.
- For users in areas other than Europe: This appliance is not intended for use by persons (including children) with reduced physical, sensory or mental capabilities, or lack of experience and knowledge, unless they have been given supervision or instruction concerning use of the appliance by a person responsible for their safety. Children should be supervised to ensure that they do not play with the appliance.

## SPECIFICATIONS

This fan is equipped with 3-speed control, fan head oscillation, and auto-off timer functions. Power supply can be with Makita battery cartridge or AC adaptor.

Model:		CF001G
Rated voltage		D.C. 36 V - 40 V max
AC adaptor	Input	100 – 240V, 50 / 60Hz, 1.2A max
	Output	15V, 2.5A
Dimensions (L x W x H)		143 x 333 x 463 mm
Net weight (without battery cartridge)		2.0 kg

- Due to our continuing program of research and development, the specifications herein are subject to change without notice.
- Specifications may differ from country to country.

### Applicable battery cartridge and charger

Battery cartridge	BL4025 / BL4040
Charger	DC40RA

- Some of the battery cartridges and chargers listed above may not be available depending on your region of residence.

**⚠ WARNING:** Only use the battery cartridges and chargers listed above. Use of any other battery cartridges and chargers may cause injury and/or fire.

## Battery running time

Following table refers to some of battery cartridges from Makita. The estimated running time of full charged battery is shown:

Battery cartridge	Wind speed		
	Low	Medium	High
BL4025	730 min	550 min	410 min
BL4040	1,160 min	880 min	660 min

## Symbols

The followings show the symbols which may be used for the equipment. Be sure that you understand their meaning before use.



Read instruction manual.



Only for EU countries  
Do not dispose of electric equipment or battery pack together with household waste material! In observance of the European Directives, on Waste Electric and Electronic Equipment and Batteries and Accumulators and Waste Batteries and Accumulators and their implementation in accordance with national laws, electric equipment and batteries and battery pack(s) that have reached the end of their life must be collected separately and returned to an environmentally compatible recycling facility.



Only for EU countries  
Correct Disposal of this product  
This marking indicates that this product should not be disposed with other household wastes throughout the EU. To prevent possible harm to the environment or human health from uncontrolled waste disposal, recycle it responsibly to promote the sustainable reuse of material resources. To return your used device, please use the return and collection systems or contact the retailer where the product was purchased. They can take this product for environmental safe recycling.

## Intended use

The appliance is intended for generating air flow.

## SAFETY WARNINGS

To prevent serious injury, please read and understand all warnings and instructions before use.

**You will need this manual for the safety warnings and precautions, assembly, operating, inspection, maintenance procedures. Keep this manual in a safe and dry place for future reference.**

## IMPORTANT SAFETY INSTRUCTIONS

When using an electrical appliance, basic precautions should always be followed, including the following:

## READ ALL INSTRUCTIONS BEFORE USING THIS APPLIANCE.

### WARNING

**To reduce the risk of fire, electric shock or injury:**

1. Do not expose to rain. Store indoors.
2. Do not allow to be used as a toy. Close attention is necessary when used by or near children.
3. Use only as described in this manual. Use only manufacturer's recommended attachments.
4. Do not use with damaged battery. If appliance is not working as it should has been dropped, damaged, left outdoors, or dropped into water, return it to our service center.
5. Do not handle the appliance with wet hands.
6. Do not put any object into openings.
7. Keep hair, loose clothing, finger and all parts of body away from openings and moving parts.
8. Turn off all controls before removing the battery.
9. Use only the AC adaptor and charger supplied by the manufacturer. Accessories that may be suitable for the appliance may become hazardous when used on others.
10. Do not charge the battery outdoors.
11. Do not expose to fire or high temperatures.
12. Do not use near open flames, glowing embers or explosive atmospheres, such as in presence of flammable liquids, gases or dust. The appliance creates sparks which may ignite the dust or fumes.
13. Never use the appliance in humid locations such as in a bathroom.
14. This appliance is indoor use only. Never use the appliance outdoors.
15. This appliance is intended for household use.
16. Read this instruction manual and the charger instruction manual carefully before use.
17. Stop operation immediately if you notice any abnormal.
18. If you drop or strike the appliance, check it carefully for cracks or damage before operation.
19. Do not bring the appliance close to stoves or other heat sources.
20. If you use if broken, bent, cracked or damaged parts are present. Any appliance that appears damaged in any way or operates abnormally must be removed from service immediately. Inspect before each operation.
21. Do not leave the appliance energized and unattended.

22. Don't abuse the AC adaptor. Never use the adaptor cord to carry the appliance or pull the plug out from an outlet. Keep the AC adaptor away from heat, oil, sharp edges, or moving parts. Replace damaged adaptor immediately. Damaged adaptor may increase the risk of electric shock.
6. Unplug unit and allow it to cool before performing any inspection, maintenance, cleaning procedures or storage.

#### Battery tool use and care

1. **Recharge only with the charger specified by the manufacturer.** A charger that is suitable for one type of battery pack may create a risk of fire when used with another battery pack.
2. **Use power tools only with specifically designated battery packs.** Use of any other battery packs may create a risk of injury and fire.
3. **When battery pack is not in use, keep it away from other metal objects, like paper clips, coins, keys, nails, screws or other small metal objects, that can make a connection from one terminal to another.** Shorting the battery terminals together may cause burns or a fire.
4. **Under abusive conditions, liquid may be ejected from the battery; avoid contact. If contact accidentally occurs, flush with water. If liquid contacts eyes, additionally seek medical help.** Liquid ejected from the battery may cause irritation or burns.
5. **Do not use a battery pack or tool that is damaged or modified.** Damaged or modified batteries may exhibit unpredictable behaviour resulting in fire, explosion or risk of injury.
6. **Do not expose a battery pack or tool to fire or excessive temperature.** Exposure to fire or temperature above 130 °C may cause explosion.
7. **Follow all charging instructions and do not charge the battery pack or tool outside the temperature range specified in the instructions.** Charging improperly or at temperatures outside the specified range may damage the battery and increase the risk of fire.
7. Do not use familiarity with appliances to make you careless. Remember that a careless fraction of a second is sufficient to inflict serious injury.
8. Always place the appliance on a level and stable surface. If the appliance falls, it may cause personal injury or damage to the appliance.
9. Do not use any batteries, attachments or accessories not recommended by the manufacturer of this appliance. The use of batteries, attachments or accessories not recommended can result in serious personal injury.
10. Keep hair or loose clothing like a scarf away from the fan. It may be caught in the fan and result in personal injury.
11. Ensure the switch is in the off-position before picking up or carrying the appliance. Carrying the appliance with your finger on the switch invites accidents.
12. Do not modify or attempt to repair the appliance or the battery cartridge except as indicated in the instructions for use and care.

#### SERVICE

1. This appliance service must be performed only by qualified repair personnel. Service or maintenance performed by unqualified personnel could result in a risk of injury.
2. When servicing this appliance, use only identical replacement parts. Use of unauthorized parts or failure to follow maintenance instructions may create a risk of electric shock or injury.
3. Do not incinerate this appliance, even if it is severely damaged. The batteries can explode in a fire. Dispose of the appliance in accordance with the local regulations.

#### CORDLESS FAN USE AND CARE

1. Use the correct cordless fan for your application. Do not use the fan for a purpose for which it is not intended.
2. The appliance can work by Makita Li-ion battery cartridge designated in "SPECIFICATIONS" section in this instruction manual or AC adaptor. Use of any other batteries may create a risk of fire. Recharge batteries only with the specified charger. A charger that may be suitable for one type of battery may create a risk of fire when used with another battery.
3. Store idle appliance out of reach of children and other untrained persons.
4. Disconnect battery cartridge and the AC adaptor from the power source before storing the appliance, performing any inspection, maintenance, or cleaning procedures. Such preventive safety measures may reduce the risk of starting the appliance accidentally.
5. When battery cartridge is not in use, keep it away from other metal objects. Shortening the battery terminals together may cause sparks, burns or a fire.

#### Important safety instructions for battery cartridge

1. **Before using battery cartridge, read all instructions and cautionary markings on (1) battery charger, (2) battery, and (3) product using battery.**
2. **Do not disassemble or tamper the battery cartridge.** It may result in a fire, excessive heat, or explosion.
3. **If operating time has become excessively shorter, stop operating immediately. It may result in a risk of overheating, possible burns and even an explosion.**
4. **If electrolyte gets into your eyes, rinse them out with clear water and seek medical attention right away. It may result in loss of your eyesight.**
5. **Do not short the battery cartridge:**
  - (1) **Do not touch the terminals with any conductive material.**
  - (2) **Avoid storing battery cartridge in a container with other metal objects such as nails, coins, etc.**

- (3) **Do not expose battery cartridge to water or rain.**

A battery short can cause a large current flow, overheating, possible burns and even a breakdown.

6. **Do not store and use the tool and battery cartridge in locations where the temperature may reach or exceed 50 °C (122 °F).**
7. **Do not incinerate the battery cartridge even if it is severely damaged or is completely worn out. The battery cartridge can explode in a fire.**
8. **Do not nail, cut, crush, throw, drop the battery cartridge, or hit against a hard object to the battery cartridge.** Such conduct may result in a fire, excessive heat, or explosion.
9. **Do not use a damaged battery.**
10. **The contained lithium-ion batteries are subject to the Dangerous Goods Legislation requirements.**

For commercial transports e.g. by third parties, forwarding agents, special requirement on packaging and labeling must be observed.

For preparation of the item being shipped, consulting an expert for hazardous material is required. Please also observe possibly more detailed national regulations.

Tape or mask off open contacts and pack up the battery in such a manner that it cannot move around in the packaging.

11. **When disposing the battery cartridge, remove it from the tool and dispose of it in a safe place. Follow your local regulations relating to disposal of battery.**
12. **Use the batteries only with the products specified by Makita.** Installing the batteries to non-compliant products may result in a fire, excessive heat, explosion, or leak of electrolyte.
13. **If the tool is not used for a long period of time, the battery must be removed from the tool.**
14. **During and after use, the battery cartridge may take on heat which can cause burns or low temperature burns. Pay attention to the handling of hot battery cartridges.**

15. **Do not touch the terminal of the tool immediately after use as it may get hot enough to cause burns.**
16. **Do not allow chips, dust, or soil stuck into the terminals, holes, and grooves of the battery cartridge.** It may result in poor performance or breakdown of the tool or battery cartridge.
17. **Unless the tool supports the use near high-voltage electrical power lines, do not use the battery cartridge near a high-voltage electrical power lines.** It may result in a malfunction or breakdown of the tool or battery cartridge.

## SAVE THESE INSTRUCTIONS.

**⚠ CAUTION:** Only use genuine Makita batteries. Use of non-genuine Makita batteries, or batteries that have been altered, may result in the battery bursting causing fires, personal injury and damage. It will also void the Makita warranty for the Makita tool and charger.

## Tips for maintaining maximum battery life

- Charge the battery cartridge before completely discharged. Always stop tool operation and charge the battery cartridge when you notice less tool power.**
- Never recharge a fully charged battery cartridge. Overcharging shortens the battery service life.**
- Charge the battery cartridge with room temperature at 10 °C - 40 °C (50 °F - 104 °F). Let a hot battery cartridge cool down before charging it.**
- When not using the battery cartridge, remove it from the tool or the charger.**
- Charge the battery cartridge if you do not use it for a long period (more than six months).**

## PARTS DESCRIPTION

► Fig.1

1	Power switch button	2	Wind speed change button	3	Auto-off timer button
4	Oscillation button	5	Wind speed indicator	6	Auto-off timer indicator
7	Battery slot	8	15V DC socket	9	AC adaptor



## FUNCTIONAL DESCRIPTION

**CAUTION:** Always be sure that the appliance is switched off and the battery cartridge is removed before adjusting or checking function on the appliance.

### Installing or removing battery cartridge

**CAUTION:** Hold the appliance and the battery cartridge firmly when installing or removing battery cartridge. Failure to hold the appliance and the battery cartridge firmly may cause them to slip off your hands and result in damage to the appliance and battery cartridge and a personal injury.

To remove the battery cartridge, slide it from the appliance while sliding the button on the front of the cartridge.

To install the battery cartridge, align the tongue on the battery cartridge with the groove in the housing and slip it into place. Insert it all the way until it locks in place with a little click. If you can see the red indicator on the upper side of the button, it is not locked completely.

► Fig.2: 1. Red indicator 2. Button 3. Battery cartridge

**CAUTION:** Always install the battery cartridge fully until the red indicator cannot be seen. If not, it may accidentally fall out of the appliance, causing injury to you or someone around you.

**CAUTION:** Do not install the battery cartridge forcibly. If the cartridge does not slide in easily, it is not being inserted correctly.

If it is hard to slide the battery cartridge out, push it from the backside while sliding the button on the front of the cartridge.

► Fig.3

## Indicating the remaining battery capacity

Press the check button on the battery cartridge to indicate the remaining battery capacity. The indicator lamps light up for a few seconds.

► Fig.4: 1. Indicator lamps 2. Check button

Indicator lamps			Remaining capacity
Lighted	Off	Blinking	
■	□	▧	75% to 100%
■ ■ ■ ■			50% to 75%
■ ■ □ □			25% to 50%
■ □ □ □			0% to 25%
▧ □ □ □			Charge the battery.
■ ■ □ □			The battery may have malfunctioned.
□ □ ■ ■			

**NOTE:** Depending on the conditions of use and the ambient temperature, the indication may differ slightly from the actual capacity.

## Appliance / battery protection system

The appliance is equipped with the protection system. This system automatically cuts off power to the motor to extend appliance and battery life. The appliance will automatically stop during operation if the appliance or battery is placed under one of the following conditions.

- **Overload protection :** When the appliance is operated in a manner that causes it to draw an abnormally high current, the appliance automatically stops without any indication. In this situation, turn the appliance off and stop the application that caused the appliance to become overloaded. Then turn the appliance on to restart.
- **Overheat protection :** When the appliance is overheated, the appliance automatically stops. Let the appliance cool down before turning it on again.
- **Overdischarge protection :** When the battery capacity becomes low, the appliance stops automatically. If the appliance does not operate even when the switches are operated, remove the battery cartridge from the appliance and charge it.

# OPERATION

## Starting / stopping the fan

Press the power switch button to turn on the fan. Press the power switch button again to turn off the fan.

## Adjusting fan head angle

The angle of the fan head can be adjusted manually. The adjustable range of the fan head is as shown in the figure.

► Fig.6

**NOTICE:** Do not turn the fan head beyond the adjustable range.

## Oscillating the fan head

**CAUTION:** When oscillating the fan head, keep obstacles clear of the moving range of the fan head. The cordless fan may be pushed and fall by the oscillation.

**CAUTION:** Do not stop the oscillation by holding the fan head. Always press the oscillation button to stop.

Press the oscillation button to oscillate the fan head. Press the button again to stop the oscillation. The fan head begins to oscillate from the current position when the oscillation button is pressed. The fan head oscillates in the range of 90-degrees.

► Fig.7: 1. Oscillation button

**NOTE:** Depending on the fan head position, the fan head may not oscillate soon after the oscillation button is pressed because of the oscillation mechanism.

## Auto-off timer

Press the auto-off timer button while the fan is running. The duration to activate auto-off timer changes every time you press the button (1 hour / 2 hours / 4 hours / off). The number under each auto-off timer indicator shows the remaining hour(s) to turn off the fan. The auto-off timer indicator will turn off with time.

► Fig.8: 1. Auto-off timer button

**NOTE:** Depending on the battery cartridge type and its remaining capacity, the auto-off timer may be activated earlier than the set time.

## Changing wind speed

Press the wind speed change button while the fan is running. The wind speed increases every time you press the button. The wind speed will return to the lowest speed when running in the highest speed. The cordless fan will start in the same speed as the previous setting.

► Fig.5: 1. Wind speed change button

## Using AC adaptor

**WARNING:** Never use the appliance when the cord or plug is damaged.

**WARNING:** Do not handle the plug with wet or greasy hand.

**WARNING:** Do not leave the AC adaptor disconnected from the appliance while the power is supplied from the mains. Small children may put the live plug in their mouth and cause injury.

**WARNING:** Do not put the live plug or cord into your mouth. Doing so might cause an electric shock.

Insert the 15V DC plug of AC adaptor into the 15V DC socket, and then plug the AC pins into a main power supply. Make sure that the voltage rating of the main power supply corresponds with that of the adaptor.

► Fig.9

**NOTE:** After the AC adaptor is connected, the appliance may take 3–5 seconds to start.

**NOTE:** The adaptor might creak while using it for the power supply. This doesn't affect normal use.

**NOTE:** Even operating in DC power mode, the appliance is automatically changed into AC power mode when plugged in.

**NOTE:** When the cordless fan switches the power mode from DC to AC, and vice versa, the wind speed may change temporarily.

**NOTE:** The AC adaptor does not charge the battery inserted to the appliance.

## MAINTENANCE

**⚠ CAUTION:** Always be sure that the appliance is switched off, unplugged, and the battery cartridge is removed before attempting to perform inspection or maintenance.

**NOTICE:** Never use gasoline, benzine, thinner, alcohol or the like. Discoloration, deformation or cracks may result.

To maintain product SAFETY and RELIABILITY, repairs, any other maintenance or adjustment should be performed by Makita Authorized or Factory Service Centers, always using Makita replacement parts.

### General maintenance

After the appliance is cooled, use clean clothes to remove dirt, dust, oil, grease etc.

**⚠ WARNING:** All parts should be replaced at an Authorized Service Center.

### Fan Cleaning

**⚠ CAUTION:** Ensure that the fan is switched off from the supply mains before removing the guard.

When cleaning the inside of fan-cover, remove the fan-cover by following way.

1. Loosen the screw located on the back of the fan-cover.  
▶ **Fig.10:** 1. Screw
2. Turn the fan-cover counterclockwise, and remove the fan-cover when the markings are aligned as illustrated.  
▶ **Fig.11:** 1. Marking  
▶ **Fig.12**

Wipe off the fan and fan-cover using a cloth dampened in soapy water.

To attach the fan-cover, follow the removing procedure in reverse. When attaching the fan-cover, make sure that the fan-cover is locked with a click.

**⚠ CAUTION:** Always make sure that the fan-cover is attached before use.

**⚠ CAUTION:** Attach the fan-cover securely. If the fan-cover is attached halfway or incorrectly, it may come off and result in personal injury or damage to the appliance.

**NOTICE:** Avoid applying too much load on the fan-cover. It may lead to breakage.

### Storage

To prevent fire or burning, allow the appliance to cool down completely before you store it. Do not store the discharged battery for long periods, as it can shorten its service life.

## OPTIONAL ACCESSORIES

**⚠ CAUTION:** These accessories or attachments are recommended for use with your Makita appliance specified in this manual. The use of any other accessories or attachments might present a risk of injury to persons. Only use accessory or attachment for its stated purpose.

If you need any assistance for more details regarding these accessories, ask your local Makita Service Center.

- Makita genuine battery and charger

**NOTE:** Some items in the list may be included in the tool package as standard accessories. They may differ from country to country.

**Makita Corporation**  
3-11-8, Sumiyoshi-cho,  
Anjo, Aichi 446-8502 Japan  
[www.makita.com](http://www.makita.com)

CF001G-10L(non-  
CE)-AR-PER-2002  
EN, ZHCN, ID, MS,  
VI, TH, ZHTW, KO,  
PTBR, ES, AR, FA  
20200227