

Makita

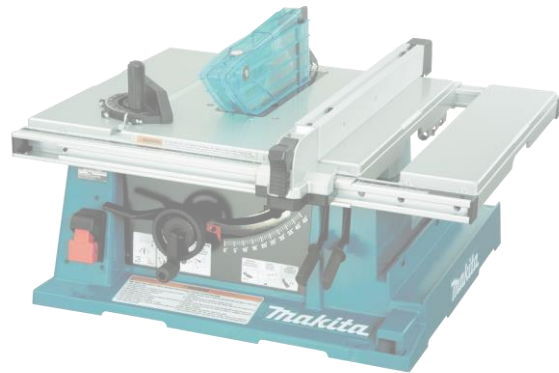
260mm (10-1/4") Table Saw

2704N

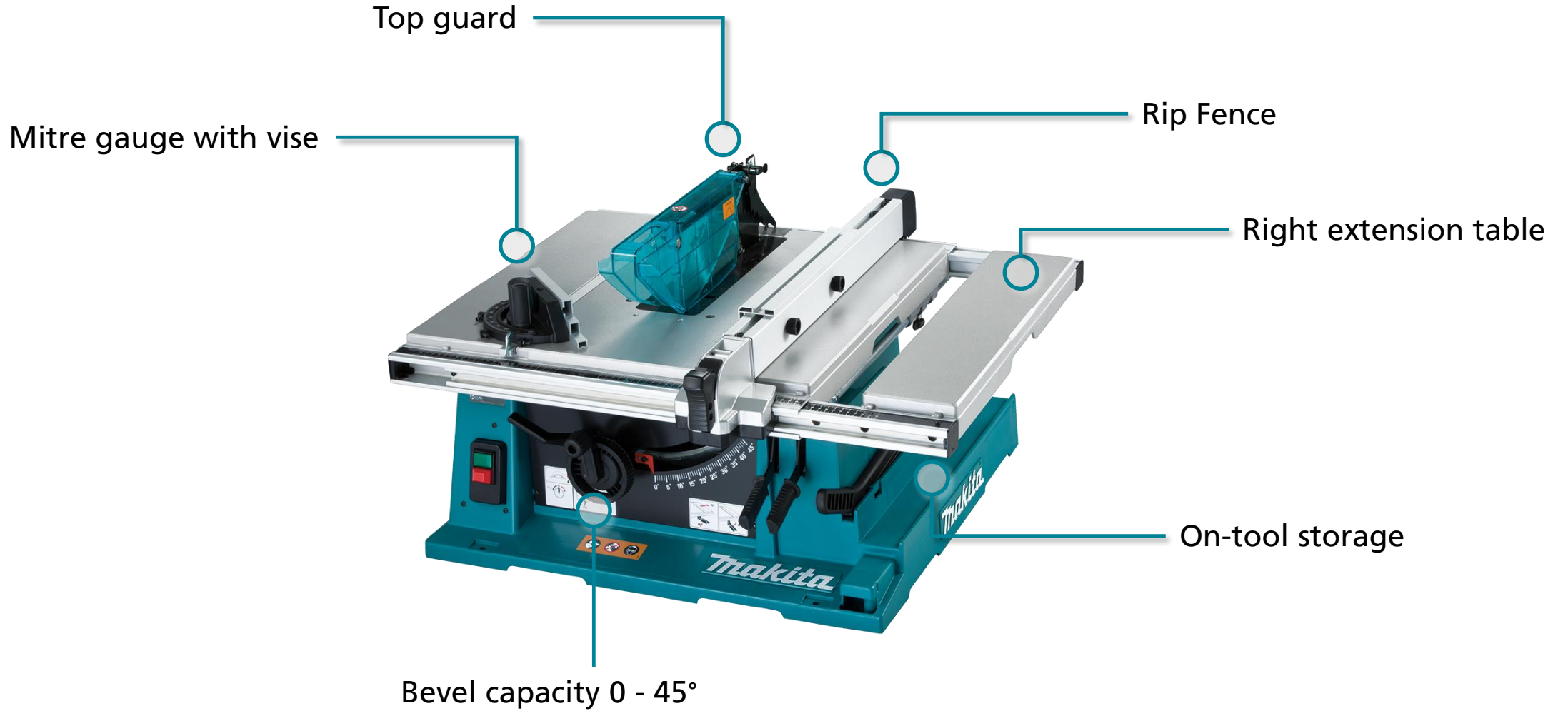


Product Objectives

- Designed to suit the needs of carpenters, builders, wood-working and cabinet makers
- Re-design guard to comply with industry standards improving safety
- The 2704N replaces the 2704



Product Overview



Product Specification Sheet



Max. cutting capacities at 0°	93mm
Max. cutting capacities at 45°	64mm
Blade diameter	260mm (10-1/4")
RHS max. rip / LHS max. rip	638mm / 330mm
Bevel cutting capacity	0 - 45°
No load speed	5,200rpm
Continuous rating input	1,650W
Overall length	753mm
Net weight	37kg
Power supply cord	2.0m

- **Blade guard** – newly designed blade guard for reduced kickback and top guard to prevent feeding of over-capacity workpieces
- **Bevel Cutting** – easily adjust the bevel angle by loosening the lock lever and turning the handwheel until the desired angle is obtained, indicated by the arrow pointer
- **Mitre gauge** – simply loosen knob on the gauge and align to desired angle (0° to 45°). Positive stops at 90°, 45° left and right. T-shape slot grooves for angle rule prevents Mitre gauge rising from the table
- **On-tool storage** – Mitre gauge, saw blade and wrenches can be stored on the left hand side of the base. Rip fence, push stick, and anti-kickback pawls can be stored on right hand side
- **Extension table** – extendable sub table on the right hand side for larger workpieces

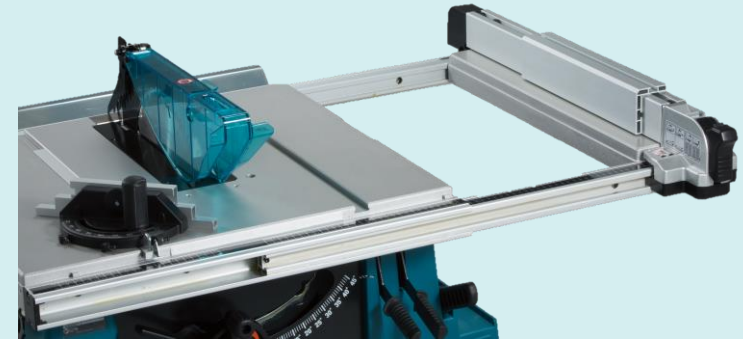
Advantages

Power



Powerful 1,650W motor delivers 5,200rpm

Control



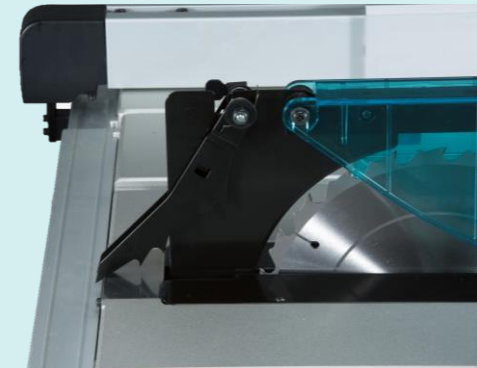
Extendable right table

Convenience



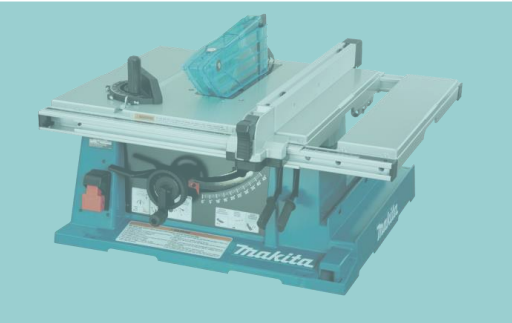

On board storage

Safety



Guard design to reduce kickback

Product Replacement

	2704 - Discontinued	2704N
		
Max. cutting capacities at 0°	91mm	93mm
Max. cutting capacities at 45°	63mm	64mm
Blade diameter	255mm (10")	260mm (10-1/4")
RHS max. rip / LHS max. rip	638mm / 330mm	638mm / 330mm
Bevel cutting capacity	0 - 45°	0 - 45°
No load speed	4,800rpm	5,200rpm
Continuous rating input	1,650W	1,650W
Overall length	665mm	753mm
Net weight	28.0kg	37kg
Power supply cord	2.0m	2.0m

The guard section has been redesigned for reduced kickback and top guard has been added to prevent use of over-capacity workpieces.

Our Range

2704N



MLT100N



Max. cutting capacities at 0°	93mm	93mm
Max. cutting capacities at 45°	64mm	64mm
Blade diameter	260mm (10-1/4")	260mm (10-1/4")
RHS max. rip / LHS max. rip	638mm / 330mm	630mm / 530mm
Bevel cutting capacity	0 - 45°	0 - 45°
No load speed	5,200rpm	4,300rpm
Continuous rating input	1,650W	1,500W
Overall length	753mm	726mm
Net weight	37kg	34.8kg
Power supply cord	2.0m	2.0m

Accessories

Standard Accessories

	B-15403	260mm x 25.4 x 32T TCT Saw Blade
	122740-1	Rip Fence
	122734-6	Mitre Gauge (with vise)
	781038-1	Wrench 19
	782024-5	Wrench 13-22
	783203-8	Hex Wrench
	416772-1	Push Stick

Optional Accessories

	194093-8	Stand Set
	B-30972	Knot & Nail TCT Saw Blade 260mm x 30 x 32T
	B-15394	BlueMak TCT Saw Blade 255mm x 30 x 72T
	194087-3	Rear Extension
	194086-5	Left Extension