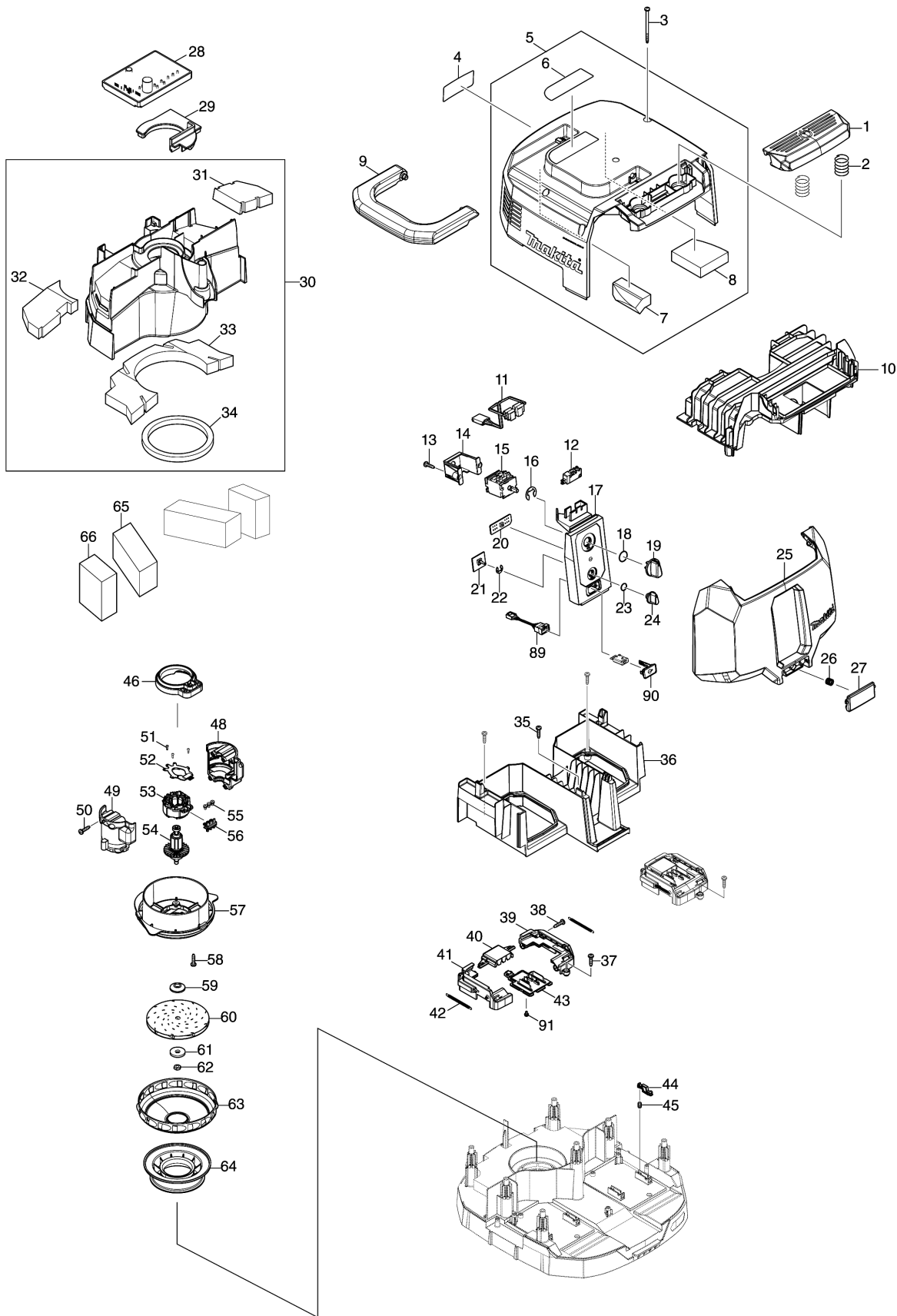
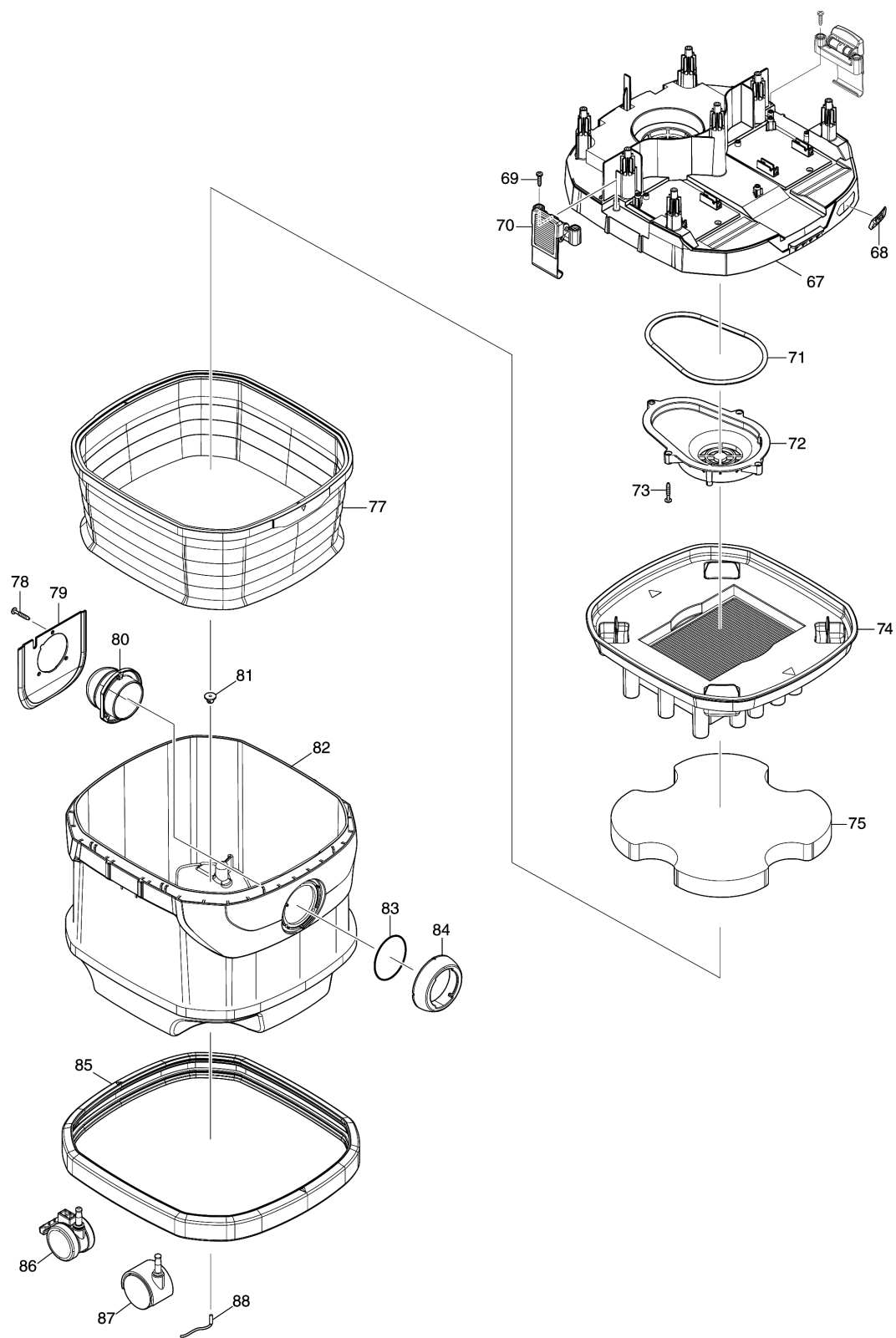


Model No.VC004GL CORDLESS VACUUM CLEANER



Model No.VC004GL CORDLESS VACUUM CLEANER



Model No.VC004GL CORDLESS VACUUM CLEANER

Item	Parts No.	Description	I/C	QTY	New/Old	Opt. 1	Opt. 2	NOTE
001	413B26-9	SWITCH BUTTON		1				
002	234273-5	COMPRESSION SPRING 20		2				
003	266340-8	TAPPING SCREW 4X65		7				
004	8112M5-6	VC004GL NAME PLATE		1				
005	141F80-4	COWLING COMPLETE		1				
D10		INC. 6-8						
006	813A18-6	CAUTION LABEL		1				
007	422796-7	TOP DAMPER A		1				
008	422797-5	TOP DAMPER B		1				
009	413B27-7	GRIP		1				
010	413B33-2	UPPER HOUSING		1				
011	638A19-1	LEAD UNIT		1				
012	651910-0	SWITCH D2VW-01-3HS		1				
013	266326-2	TAPPING SCREW 4X18		2				
014	451343-7	SWITCH HOLDER		1				
015	650014-5	SWITCH 1703.4803		1				
016	961062-2	STOP RING E-12		1				
017	141F76-5	SWITCH BASE COMPLETE		1				
C10	8040N0-8	INDICATION LABEL		1				
018	213176-6	O RING 14		1				
019	455733-6	SWITCH LEVER		1				
020	620F40-4	INDICATION CIRCUIT		1				
021	620D39-7	SUB CONTROLLER		1				
022	961013-5	STOP RING E-7		1				
023	213054-0	O RING 9		1				
024	451344-5	SWITCH DIAL		1				
025	413B29-3	BATTERY COVER		1				
026	231456-8	COMPRESSION SPRING 7		1				
027	413B30-8	BATTERY COVER HOOK		1				
028	620F38-1	CONTROLLER		1				
029	422795-9	RUBBER CAP		1				
030	141F84-6	SEPARATOR COMPLETE		1				
D10		INC. 31-34						
031	422802-8	BAND DUMPER E		1				
032	422801-0	BAND DUMPER D		1				
033	422799-1	BAND DUMPER B		1				
034	422804-4	SEAL A		1				
035	266326-2	TAPPING SCREW 4X18		3				
036	413B31-6	LOWER HOUSING		1				
037	266326-2	TAPPING SCREW 4X18		4				
038	266326-2	TAPPING SCREW 4X18		4				
039	183U06-0	TERMINAL CASE SET		2				
D10		INC. 41						
040	413B40-5	TERMINAL COVER		2				
041	183U06-0	TERMINAL CASE SET		2				
D10		INC. 39						
042	232722-6	TENSION SPRING 4		4				

Model No.VC004GL CORDLESS VACUUM CLEANER

Item	Parts No.	Description	I/C	QTY	New/Old	Opt. 1	Opt. 2	NOTE
043	632T08-2	TERMINAL UNIT		2				
044	413B41-3	LOCK LEVER		4				
045	232472-3	COMPRESSION SPRING 2		4				
046	422794-1	RUBBER RING		1				
048	183U05-2	MOTOR HOUSING SET		1				
D10		INC. 49						
049	183U05-2	MOTOR HOUSING SET		1				
D10		INC. 48						
050	266326-2	TAPPING SCREW 4X18		4				
051	266490-9	TAPPING SCREW PT 2X6		3				
052	620F39-9	CONTROLLER B		1				
053	629A83-3	STATOR		1				
054	619704-9	ROTOR		1				
055	652069-6	FLAT HEAD SCREW M3X6		3				
056	632S88-2	LEAD UNIT		1				
057	413B45-5	FAN BASE		1				
058	266326-2	TAPPING SCREW 4X18		3				
059	313062-2	FLANGE		1				
060	240178-9	FAN 104		1				
061	253752-4	FLAT WASHER 8		1				
062	252268-6	HEX. NUT M6		1				
063	347171-5	FAN COVER		1				
064	422793-3	SUPPORT RING		1				
065	422803-6	REAR BLOCK FILTER A		2				
066	422819-1	REAR BLOCK FILTER B		2				
067	141F83-8	TANK COVER COMPLETE		1				
C10	422798-3	BAND DUMPER A		1				
068	8030S0-0	XGT LOGO LABEL		1				
069	266326-2	TAPPING SCREW 4X18		4				
070	162A10-2	HOOK COMPLETE		2				
071	422805-2	SEAL RING		1				
072	413B22-7	LOWER TANK COVER		1				
073	266374-1	TAPPING SCREW 4X25		4				
074	191V70-3	POWDER FILTER H SET		1				
075	191V68-0	DAMPER SET		1				
077	191V69-8	PRE FILTER SET		1				
078	266374-1	TAPPING SCREW 4X25		3				
079	457853-2	HOLDER PLATE		1				
080	457852-4	HOLDER		1				
081	421468-1	CORD SEAL		1				
082	457855-8	TANK		1				
083	213655-4	O RING 56		1				
084	457851-6	INLET		1				
085	422176-7	BUMPER		1				
086	168535-8	CASTER 50		2				
087	168434-4	CASTER 50		2				
088	649150-2	EARTH LINE 120		1				

Model No.VC004GL CORDLESS VACUUM CLEANER

Item	Parts No.	Description	I/C	QTY	New/Old	Opt. 1	Opt. 2	NOTE
089	632L47-4	CONNECTOR UNIT		1				
090	140G18-2	CAP COMPLETE		1				
C10	213A05-9	O-RING16		1				
C20	818F57-1	CAP LABEL		1				
091	652031-1	PAN HEAD SCREW M3X6		4				
A01	195551-7	T-NOZZLE SET 38		1				
A02	195433-3	HOSE COMPLETE 28-3.5 SET		1				
C10	417191-4	CUFF LOCK		1				
C20	417586-1	STOPPER		1				
C30	417662-1	SLEEVE		1				
C40	417766-9	FRONT CUFF 38		1				
C50	417765-1	FRONT CUFF 22		1				
C60	424379-9	FRONT CUFF 24		1				
A03	195434-1	HOSE COMPLETE 38-2.5 SET		1				
C10	417191-4	CUFF LOCK		1				
C20	417306-3	SLEEVE		2				
C30	417307-1	FRONT CUFF		1				
C40	417586-1	STOPPER		2				
A04	195432-5	POLY BAG SET(650X650)		1				
A05	198901-5	WIRELESS UNIT SET		1	*			
A05-1	198901-5	WIRELESS UNIT SET	<	1				
A06	192563-1	STRAIGHT PIPE SET 565-38		1				
A07	192562-3	BENDING PIPE		1				
A08	410306-2	CORNER NOZZLE		1				
A09	413B37-4	MULTI HOOK		1				
A10	451350-0	STOPPER		1				
A11	911138-5	P.H.SCREW M4X20 WITH WR		1				
A12	195547-8	FRONT CUFF 22 SET		1				
A13	195546-0	FRONT CUFF 24 SET		1				
E01	891978-6	CAUTION LABEL		1				

Please order the parts with part number.

Print Date 11/25/2021