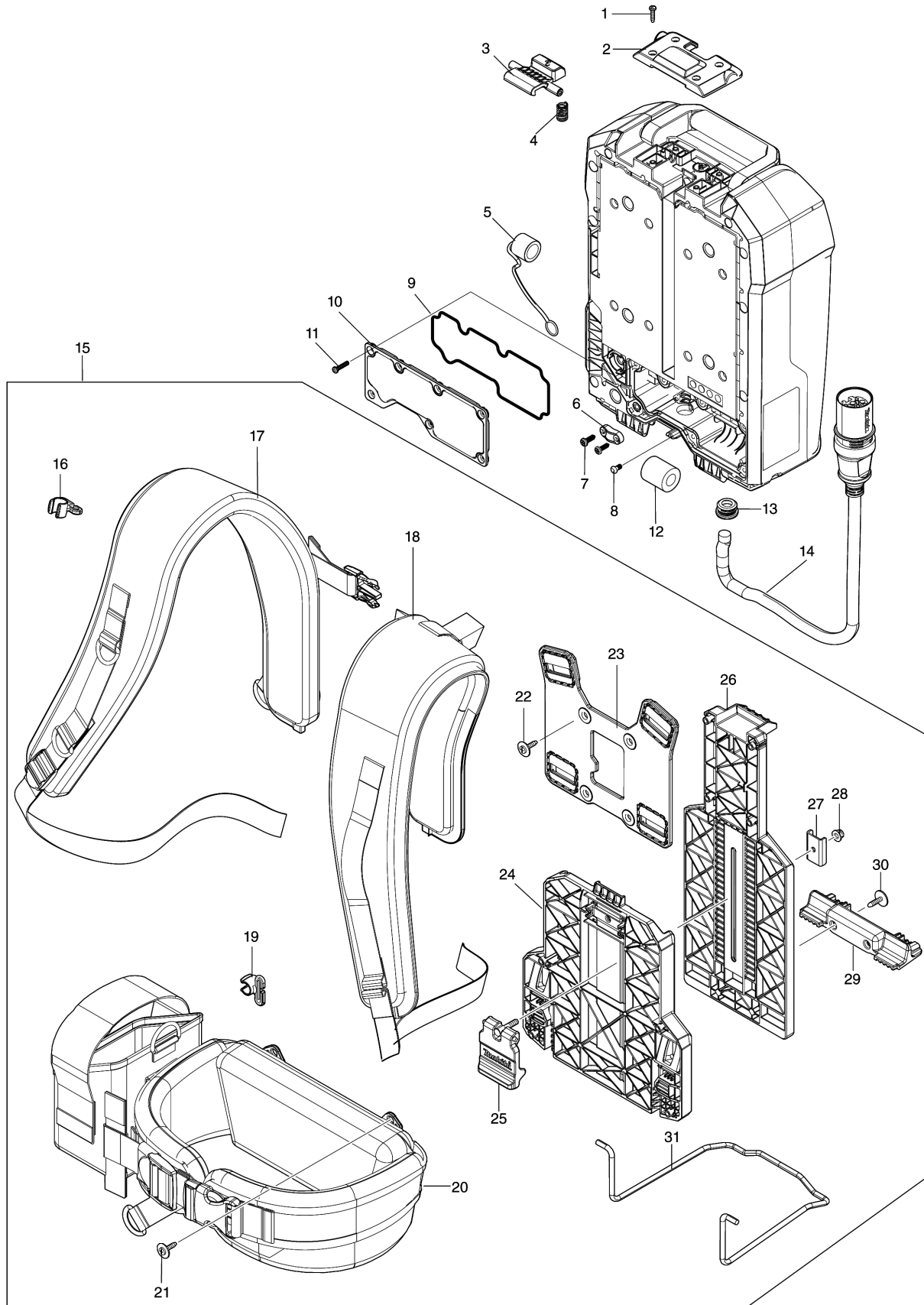


Model No.PDC1200 PORTABLE POWER PACK



Model No.PDC1200 PORTABLE POWER PACK

Item	Parts No.	Description	I/C	QTY	New/Old	Opt. 1	Opt. 2	NOTE
001	NC00000001	TAPPING SCREW 3X15		4				
002	NC00000002	CASE LEVER COVER		1				
003	NC00000003	CASE LOCK BUTTON		1				
004	NC00000004	COMPRESSION SPRING		1				
005	NC00000005	CHARGING CONNECTOR CAP		1				
006	NC00000006	CORD CLAMP		1				
007	NC00000011	TAPPING SCREW 4X14		2				
008	NC00000007	SCREW M4X8		5				
009	NC00000008	SEAL A		1				
010	NC00000009	CORD COVER		1				
011	NC00000001	TAPPING SCREW 3X15		7				
012	688233-3	LINE FILTER		1				
013	NC00000010	GROMMET		1				
014	699150-2	POWER SUPPLY CORD UNIT		1				
015	127668-8	HARNESS ASSEMBLY		1				
D10		INC. 16-31						
016	412781-8	CORD HOLDER 11		2				
017	162848-9	BAND R COMPLETE		1				
018	162849-7	BAND L COMPLETE		1				
019	412781-8	CORD HOLDER 11		1				
020	162850-2	WAIST BELT		1				
021	252274-1	TAPPING SCREW 4X18 WITH W		4				
022	252274-1	TAPPING SCREW 4X18 WITH W		4				
023	412766-4	BACK PLATE		1				
024	412765-6	WAIST HARNESS PLATE		1				
025	140W51-0	LOCK LEVER COMPLETE		1				
026	140W29-3	HARNESS PLATE COMPLETE		1				
027	347740-2	PLATE		1				
028	252286-4	COLLARED HEX.LOCK NUT M5-8		1				
029	412767-2	BOTTOM HOLDER		1				
030	252274-1	TAPPING SCREW 4X18 WITH W		2				
031	327639-7	STAND		1				
A01	***DC4001	CHARGER		1				
D10		COMPO-PARTS						
A02A	191J51-5	ADAPTER SET		1				
D10		COMPO-PARTS						

Please order the parts with part number.

Print Date 1/27/2021

