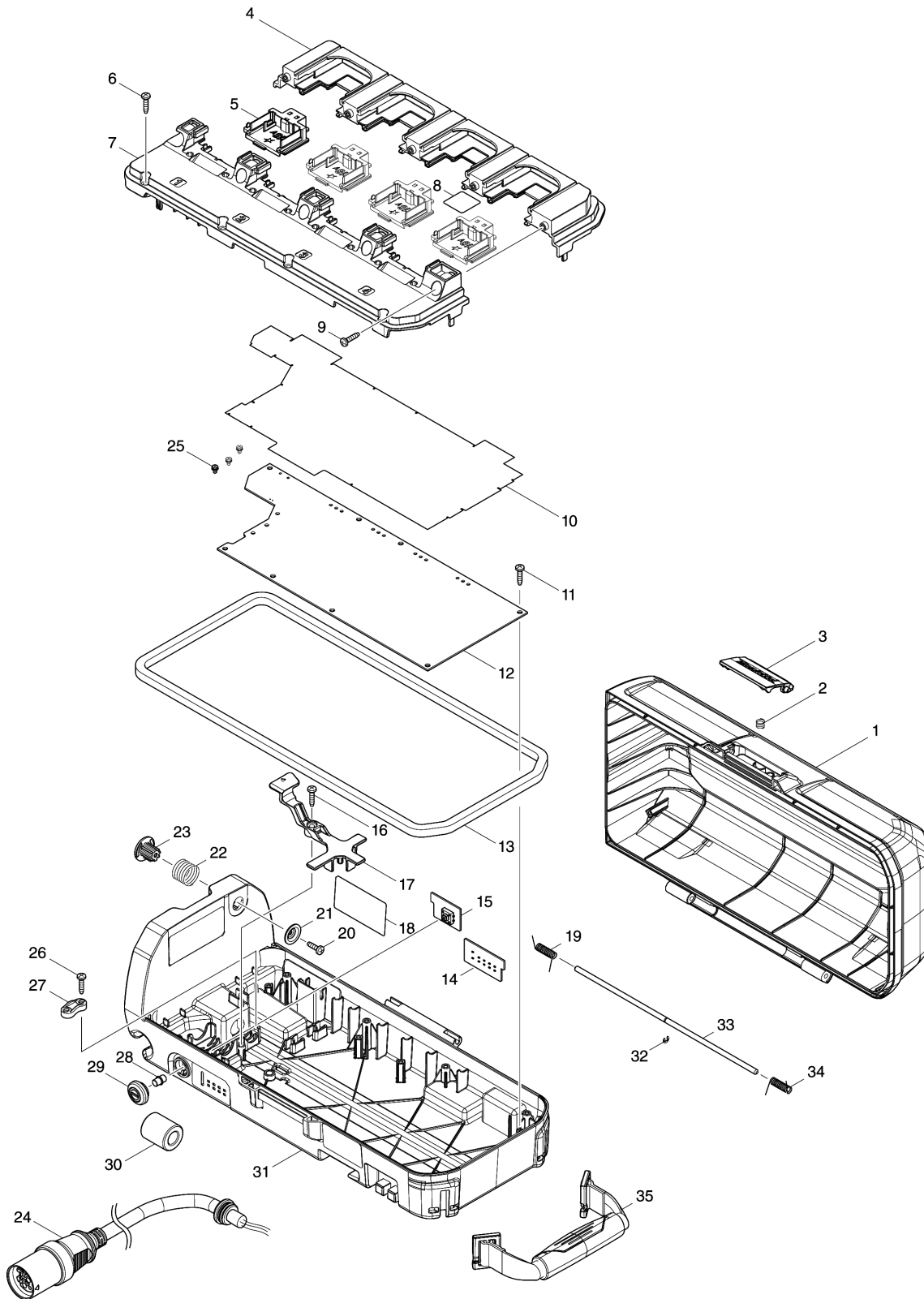


Model No.PDC01 PORTABLE POWER PACK



Model No.PDC01 PORTABLE POWER PACK

Item	Parts No.	Description	I/C	QTY	New/Old	Opt. 1	Opt. 2	NOTE
001	140M87-9	COVER COMPLETE		1				
C10	819S50-6	INDICATION LABEL		1				
002	232537-1	COMPRESSION SPRING 7		1				
003	459465-7	LATCH A		1				
004	183M63-0	TERMINAL HOUSING SET		1				
D10		INC. 7						
005	643540-1	TERMINAL		4				
006	266326-2	TAPPING SCREW 4X18		8				
007	183M63-0	TERMINAL HOUSING SET		1				
D10		INC. 4						
008	855Y14-2	PDC01 DATE CODE LABEL		1				
009	266326-2	TAPPING SCREW 4X18		5				
010	680398-7	POLYCARBONATE SHEET		1				
011	266326-2	TAPPING SCREW 4X18		8				
012	620B46-8	CONTROLLER		1				
013	422468-4	PACKING		1				
014	620B50-7	INDICATION CIRCUIT		1				
015	620B51-5	SWITCH CIRCUIT		1				
016	266326-2	TAPPING SCREW 4X18		1				
017	459532-8	CORD COVER		1				
018	855Y13-4	PDC01 NAME PLATE		1				
019	232536-3	TORSION SPRING 5		1				
020	266385-6	TAPPING SCREW 4X14		1				
021	253444-5	CUP WASHER4		1				
022	232538-9	COMPRESSION SPRING 19		1				
023	459471-2	LOCK BUTTON		1				
024	699135-8	POWER SUPPLY CORD UNIT		1				
C10	682109-6	GROMMET		1				
025	652069-6	FLAT HEAD SCREW M3X6		3				
026	266326-2	TAPPING SCREW 4X18		2				
027	687149-9	STRAIN RELIEF		1				
028	459470-4	SWITCH PIN		1				
029	422469-2	SWITCH BUTTON		1				
030	688233-3	LINE FILTER		1				
031	140M85-3	FRAME COMPLETE		1				
C10	819S49-1	INDICATION LABEL		1				
C20	819S51-4	CAUTION LABEL		1				
C30	819S53-0	INDICATION LABEL		1				
032	961017-7	STOP RING E-3		1				
033	256883-8	ROD 4		1				
034	232541-0	TORSION SPRING 5		1				
035	162658-4	HANDLE COMPLETE		1				

Please order the parts with part number.

Print Date 8/14/2019

Model No.PDC01 PORTABLE POWER PACK

Item	Parts No.	Description	I/C	QTY	New/Old	Opt. 1	Opt. 2	NOTE
A01	127347-8	HARNES ASSEMBLY		1				
D10		COMPO-PARTS						
A02	191A52-9	ADAPTER SET		1				
D10		COMPO-PARTS						
A03A	191A53-7	ADAPTER SET		1				
D10		COMPO-PARTS						

Please order the parts with part number.

Print Date 8/14/2019