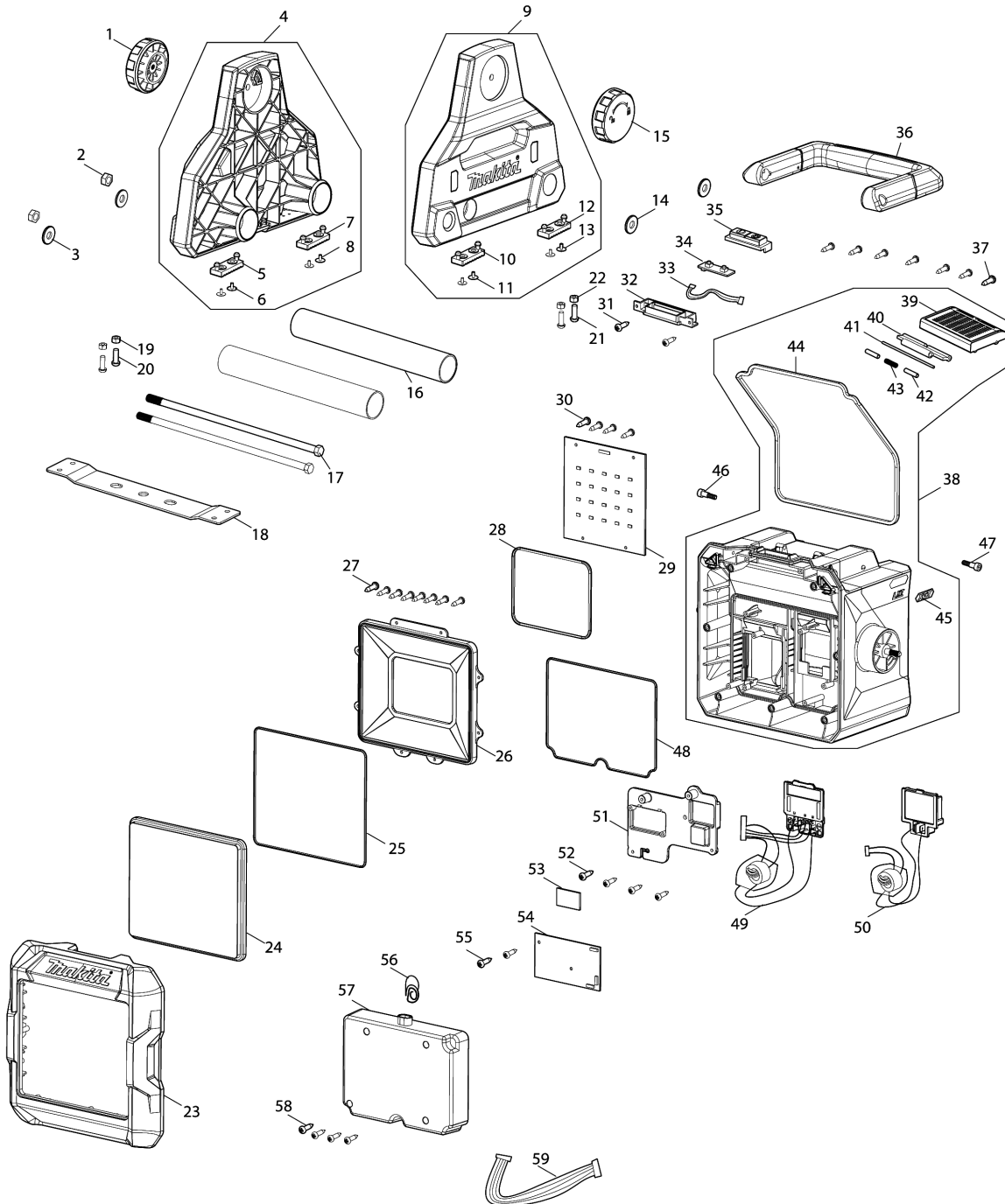


Model No.ML003G CORDLESS WORKLIGHT



Model No.ML003G CORDLESS WORKLIGHT

Item	Parts No.	Description	I/C	QTY	New/Old	Opt. 1	Opt. 2	NOTE
001	GM00002160	LATCH KNOB ASSY		1				
002	GM00002158	NUT M8		2				
003	GM00002157	METAL OD20XID8.5X2MM		2				
004	GM00002308	STAND-LEFT ASSY		1				
D10		INC. 5-8						
005	GM00002154	RUBBER FOOT		1				
006	GM00002164	SCREW 3X6 PWB		2				
007	GM00002154	RUBBER FOOT		1				
008	GM00002164	SCREW 3X6 PWB		2				
009	GM00002307	STAND-RIGHT ASS'Y		1				
D10		INC. 10-13						
010	GM00002154	RUBBER FOOT		1				
011	GM00002164	SCREW 3X6 PWB		2				
012	GM00002154	RUBBER FOOT		1				
013	GM00002164	SCREW 3X6 PWB		2				
014	GM00002157	METAL OD20XID8.5X2MM		2				
015	GM00002160	LATCH KNOB ASSY		1				
016	GM00002305	STAND HOLDING TUBE		2				
017	GM00002304	METAL BOLT M8		2				
018	GM00002303	BASE HOLDING PLATE		1				
019	GM00002155	NUT M5		2				
020	GM00002156	SCREW 5X15 PM		2				
021	GM00002156	SCREW 5X15 PM		2				
022	GM00002155	NUT M5		2				
023	GM00002313	FRONT COVER ASSY		1				
024	GM00002314	LENS ASSY		1				
025	GM00002315	LENS O-RING		1				
026	GM00002316	REFLECTOR ASSY		1				
027	GM00001332	SCREW 3 X 8 PB		8				
028	GM00002317	HEAT SINK O-RING		1				
029	GM00002318	LED PCBA ASSY		1				
030	GM00001332	SCREW 3 X 8 PB		4				
031	GM00002165	SCREW 3X18 PT		2				
032	GM00002301	SWITCH HOLDER		1				
033	GM00002302	LEAD UNIT		1				
034	GM00002140	SWITCH PCBA ASSY		1				
035	GM00002141	SWITCH ASSY		1				
036	GM00002300	HANDLE ASSY		1				
037	GM00002165	SCREW 3X18 PT		7				
038	GM00002298	MID-BODY ASSY		1				
D10		INC. 39-45						
039	GM00002258	LATCH A		1				

Please order the parts with part number.

Print Date 7/29/2021

Model No.ML003G CORDLESS WORKLIGHT

Item	Parts No.	Description	I/C	QTY	New/Old	Opt. 1	Opt. 2	NOTE
040	GM00002257	LATCH B		1				
041	GM00002256	SHAFT B		1				
042	GM00002255	SHAFT A		2				
043	GM00002309	SPRING		1				
044	GM00002299	LATCH O-RING		1				
045	GM00002310	XGT LABEL		1				
046	GM00002137	INSIDE-HEX SCREW		1				
047	GM00002137	INSIDE-HEX SCREW		1				
048	GM00002297	TERMINAL HOLDING PLATE O-RING		1				
049	GM00002295	XGT TERMINAL ASSY		1				
050	GM00002296	LXT TERMINAL ASSY		1				
051	GM00002294	TERMINAL HOLDING PLATE ASSY		1				
052	GM00002165	SCREW 3X18 PT		4				
053	GM00002306	SILICONE SHEET		1				
054	GM00002292	MAIN PCBA ASSY		1				
055	GM00001332	SCREW 3 X 8 PB		2				
056	GM00002320	EVA		1				
057	GM00002319	POWER CASE		1				
058	GM00002165	SCREW 3X18 PT		4				
059	GM00002293	HOUSING CONNECTOR		1				
A01	GM00002312	ANTI-GLARE FILM		1				
A02	GM00002073	TRIPOD		1				
A03	GM00001396	WISE		1				

Please order the parts with part number.

Print Date 7/29/2021