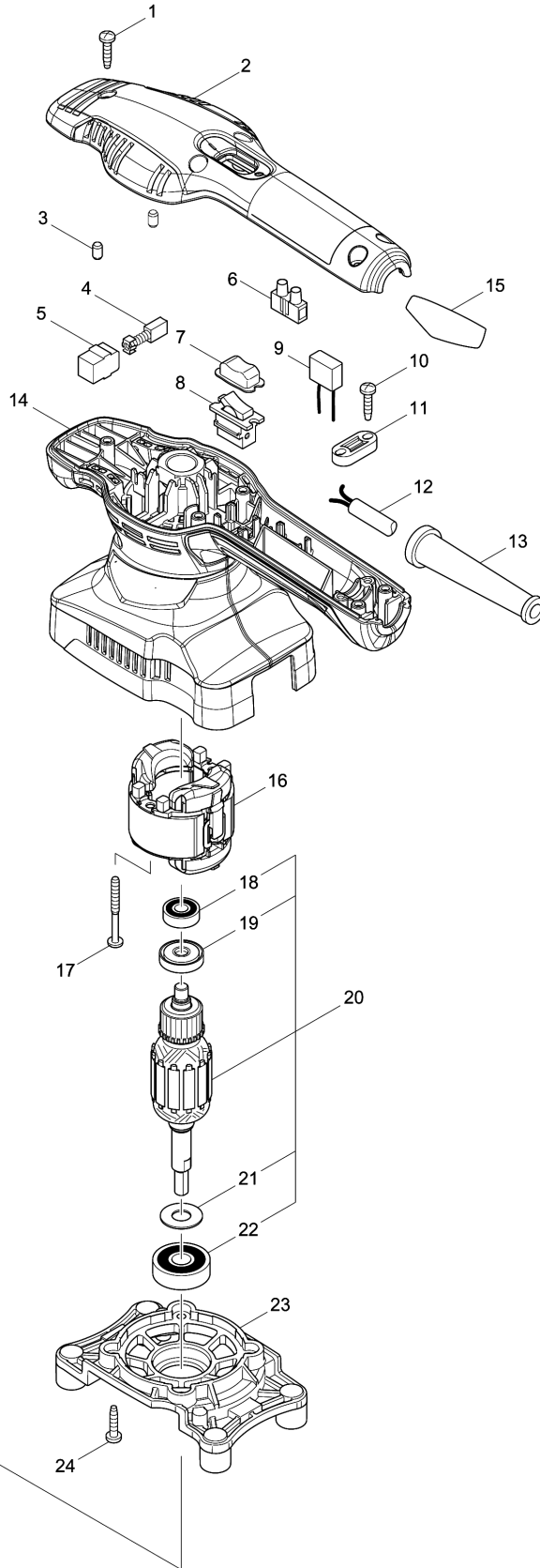
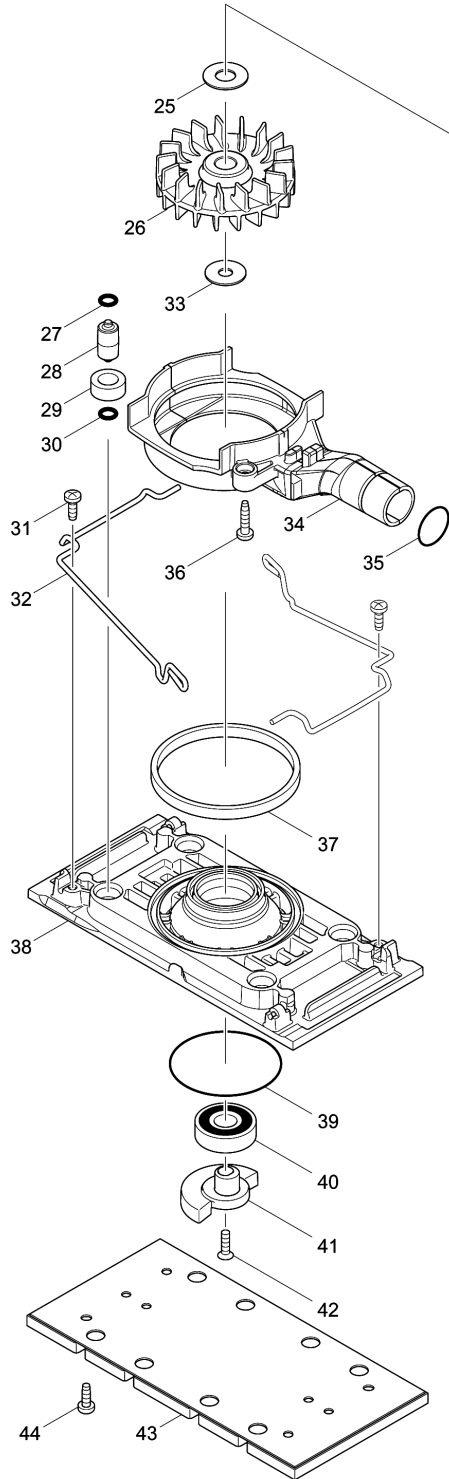


Model No.M9203 FINISHING SANDER



Model No.M9203 FINISHING SANDER

Item	Parts No.	Description	I/C	QTY	New/Old	Opt. 1	Opt. 2	NOTE
001	266326-2	TAPPING SCREW 4X18		5				
002A	452415-1	TOP COVER		1				
002B	456558-1	MOTOR HOUSING		1				
003	263002-9	RUBBER PIN 4		2				
004	194968-1	CARBON BRUSH SET CB-64		1				
005	643552-4	BRUSH HOLDER 5-8		2				
006	654532-5	TERMINAL BLOCK 1P		1				
007	424086-4	SWITCH COVER		1				
008	651527-9	SWITCH		1				
009	645228-9	NOISE SUPPRESSOR		1				
010	266326-2	TAPPING SCREW 4X18		2				
011	687124-5	STRAIN RELIEF		1				
012	666764-2	POWER SUPPLY CORD 1.0-2-2.0		1	*			
012-1	697207-3	POWER SUPPLY CORD 1.0-2-2.0	O	1				
013	682569-2	CORD GUARD 8-85		1				
014A	456557-3	MOTOR HOUSING		1				
014B	456559-9	TOP COVER		1				
015	852B68-2	M9203 NAME PLATE		1				
016	593739-7	FIELD ASS'Y 220-240V		1				
C10	654409-4	TERMINAL VR1.25-3.5LB		2				
017	266560-4	TAPPING SCREW 4X40		2				
018	210062-2	BALL BEARING 607ZZ		1				
019	681652-2	INSULATION WASHER		1				
020	515799-9	ARMATURE ASS'Y 240V		1				
D10		INC. 18,19,21,22						
021	253180-3	FLAT WASHER 10		1				
022	211087-9	BALL BEARING 6200DDW		1				
023	451928-9	BEARING BOX		1				
024	266326-2	TAPPING SCREW 4X18		4				
025	253180-3	FLAT WASHER 10		1				
026	241677-4	FAN 68		1				
027	213983-7	O RING 4		4				
028	318151-8	FOOT		4				
029	424023-8	SPONGE SLEEVE 9		4				
030	213983-7	O RING 4		4				
031	266427-6	TAPPING SCREW 4X12		2				
032	324873-0	LEVER		2				
033	267239-0	FLAT WASHER 7		1				
034	451930-2	FAN GUIDE		1				
035	213315-8	O RING 19		1				
036	266326-2	TAPPING SCREW 4X18		2				

Model No.M9203 FINISHING SANDER

Item	Parts No.	Description	I/C	QTY	New/Old	Opt. 1	Opt. 2	NOTE
037A	423470-0	SPONGE 6X101X3		1	*			
037-1A	423470-0	SPONGE 6X101X3	O	1				
037-1B	423470-0	SPONGE 6X101X3		1				
038	451929-7	BASE		1				
039	213656-2	O RING 53		1				
040	211228-7	BALL BEARING 6202DDW		1				
041	318622-5	BALANCER		1				
042	912117-6	COUNTERSUNK HEAD SCREW M4X12		1				
043	140441-9	PAD COMPLETE		1				
044	266427-6	TAPPING SCREW 4X12		4				
A01	143627-4	DUST BAG COMPLETE		1				
A02	451271-6	PUNCH PLATE		1				
A03	A-31267	ABRASIVE PAPER 93X228 #120		1				

Please order the parts with part number.

Print Date 6/4/2021