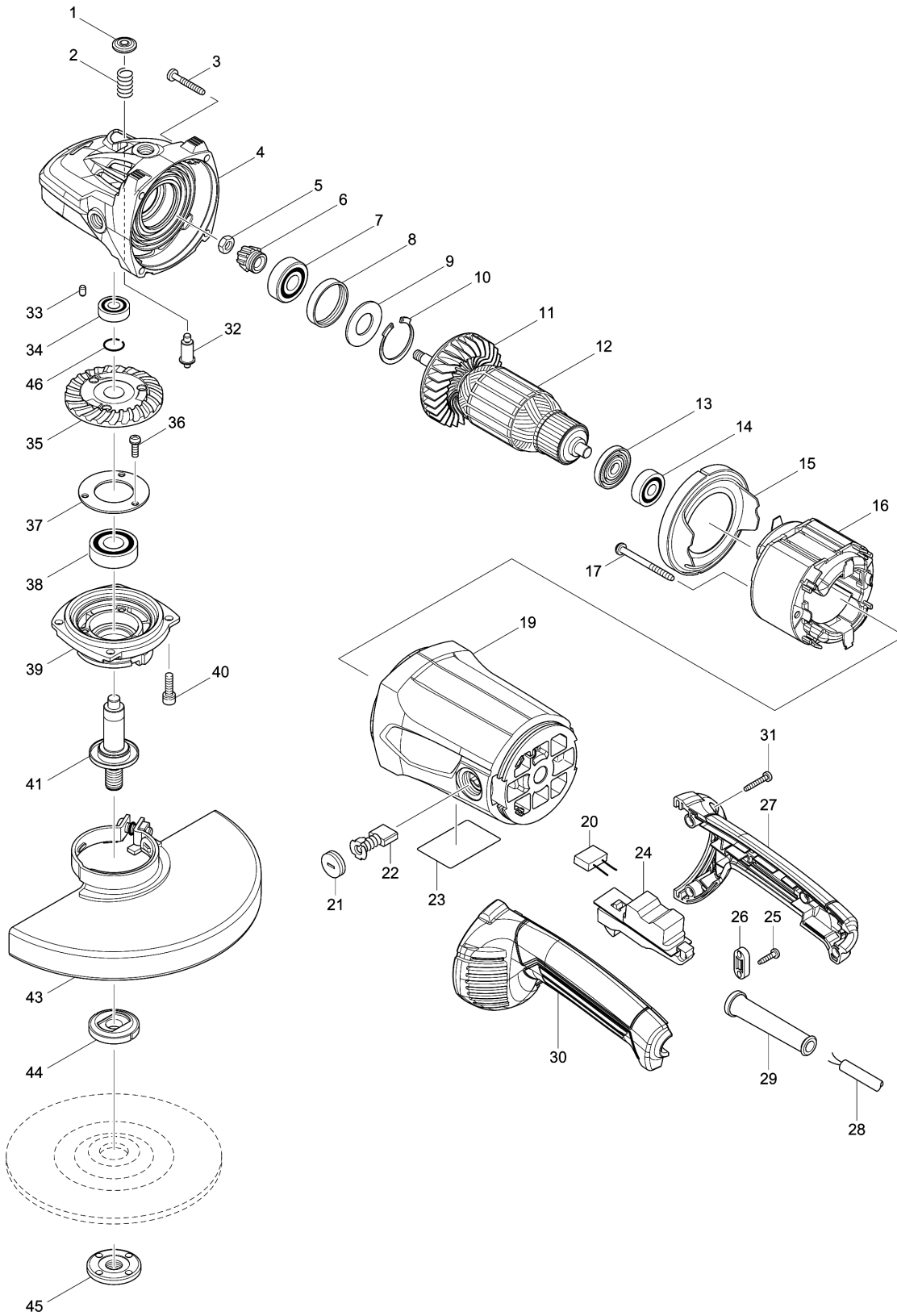


Model No.M9001 230MM ANGLE GRINDER



Model No.M9001 230MM ANGLE GRINDER

Item	Parts No.	Description	I/C	QTY	New/Old	Opt. 1	Opt. 2	NOTE
001	419133-4	PIN CAP		1				
002	233292-8	COMPRESSION SPRING 12		1				
003	266373-3	TAPPING SCREW 5X35		4				
004	142753-6	GEAR HOUSING COMPLETE		1				
D10		INC. 33						
005	252194-9	HEX. NUT M8		1				
006	227490-4	SPIRAL BEVEL GEAR 12		1				
007	210104-2	BALL BEARING 6301DDW		1				
008	262085-6	RUBBER RING 38		1				
009	267299-2	FLAT WASHER 20		1				
010	962211-4	RETAINING RING R-42		1				
011	240081-4	FAN 80		1				
012	516948-1	ARMATURE ASS'Y 220-240V		1				
D10		INC. 11,13,14						
013	681630-2	INSULATION WASHER		1				
014	210070-3	BALL BEARING 6200ZZ		1				
015	419135-0	BAFFLE PLATE		1				
016	596279-4	FIELD ASS'Y 240V		1				
C20	654502-4	CONNECTOR P-2		2	*			
C21	654486-6	PARALLEL SPLICE	>	2				
C21	654486-6	PARALLEL SPLICE		2				
C10	654197-3	RING TERMINAL		2				
017	266352-1	TAPPING SCREW 5X65		2				
019A	143119-3	MOTOR HOUSING COMPLETE		1				
019B	143252-1	MOTOR HOUSING COMPLETE		1				
C10	643564-7	BRUSH HOLDER		2				
020	645240-9	NOISE SUPPRESSOR		1				
021	643700-5	BRUSH HOLDER CAP 7-18		2				
022	194992-4	CARBON BRUSH SET CB-204		1				
023	850W54-3	M9001 NAME PLATE		1				
024	651183-5	SWITCH HY44B		1				
025	266326-2	TAPPING SCREW 4X18		2				
026	687124-5	STRAIN RELIEF		1				
027A	188996-6	HANDLE SET		1				
027B	183A94-7	HANDLE SET		1				
D10		INC. 30						
028	666952-1	POWER SUPPLY CORD 1.0-2-2.0		1				
029	682540-6	CORD GUARD 9.3-90		1				
030A	188996-6	HANDLE SET		1				
030B	183A94-7	HANDLE SET		1				
D10		INC. 27						
031	266374-1	TAPPING SCREW 4X25		4				

Please order the parts with part number.

Print Date 6/4/2021

Model No.M9001 230MM ANGLE GRINDER

Item	Parts No.	Description	I/C	QTY	New/Old	Opt. 1	Opt. 2	NOTE
032	256491-5	SHOULDER PIN 5		1				
033	263002-9	RUBBER PIN 4		1				
034A	210067-2	BALL BEARING 6000ZZ		1	*			
034-1A	210199-5	BALL BEARING 6000ZZ	O	1				
034-1B	210199-5	BALL BEARING 6000ZZ		1				
035	227491-2	SPIRAL BEVEL GEAR 53 A		1				
036	265120-9	PAN HEAD SCREW M5X16		3				
037	285724-1	BEARING RETAINER 50		1				
038	211285-5	BALL BEARING 6203DDW		1	*			
038-1	210239-9	BALL BEARING 6203DDW	O	1				
039	318617-8	BEARING BOX		1				
040	265541-5	HEX. SOCKET HEAD BOLT M6X22		4				
041	158209-9	SPINDLE COMPLETE		1				
043A	122892-8	WHEEL COVER 230K ASS'Y		1	*			
C10	213017-6	O RING 6		1	*			
C20	265198-2	+PAN HEAD SCREW M8X25		1	*			
043-1A	122892-8	WHEEL COVER 230K ASS'Y	O	1				
C10	213017-6	O RING 6		1				
C20	265198-2	+PAN HEAD SCREW M8X25		1				
043-1B	122892-8	WHEEL COVER 230K ASS'Y		1				
C10	213017-6	O RING 6		1				
C20	265198-2	+PAN HEAD SCREW M8X25		1				
044A	224415-9	INNER FLANGE 42		1	*			
044-1A	224490-5	INNER FLANGE 14-45	O	1				
044-1B	224490-5	INNER FLANGE 14-45		1				
045	224543-0	LOCK NUT 14-45		1				
046	233946-7	RING SPRING 15		1				
047	892810-7	CLEAR LABEL		1				
A01	152539-0	GRIP 36 COMPLETE		1				
A02A	782407-9	LOCK NUT WRENCH 35		1	*			
A02-1A	782034-2	LOCK NUT WRENCH 35	O	1				
A02-1B	782034-2	LOCK NUT WRENCH 35		1				
A03	224256-3	OUTER FLANGE 78		1				
A04	224257-1	INNER FLANGE 78		1				
B01A	191845-8	FLANGE 78 SET		1				
D10		INC. A03,A04						
B01B	191845-8	FLANGE 78 SET		1				
D10		INC. A03,A04						

Please order the parts with part number.

Print Date 6/4/2021