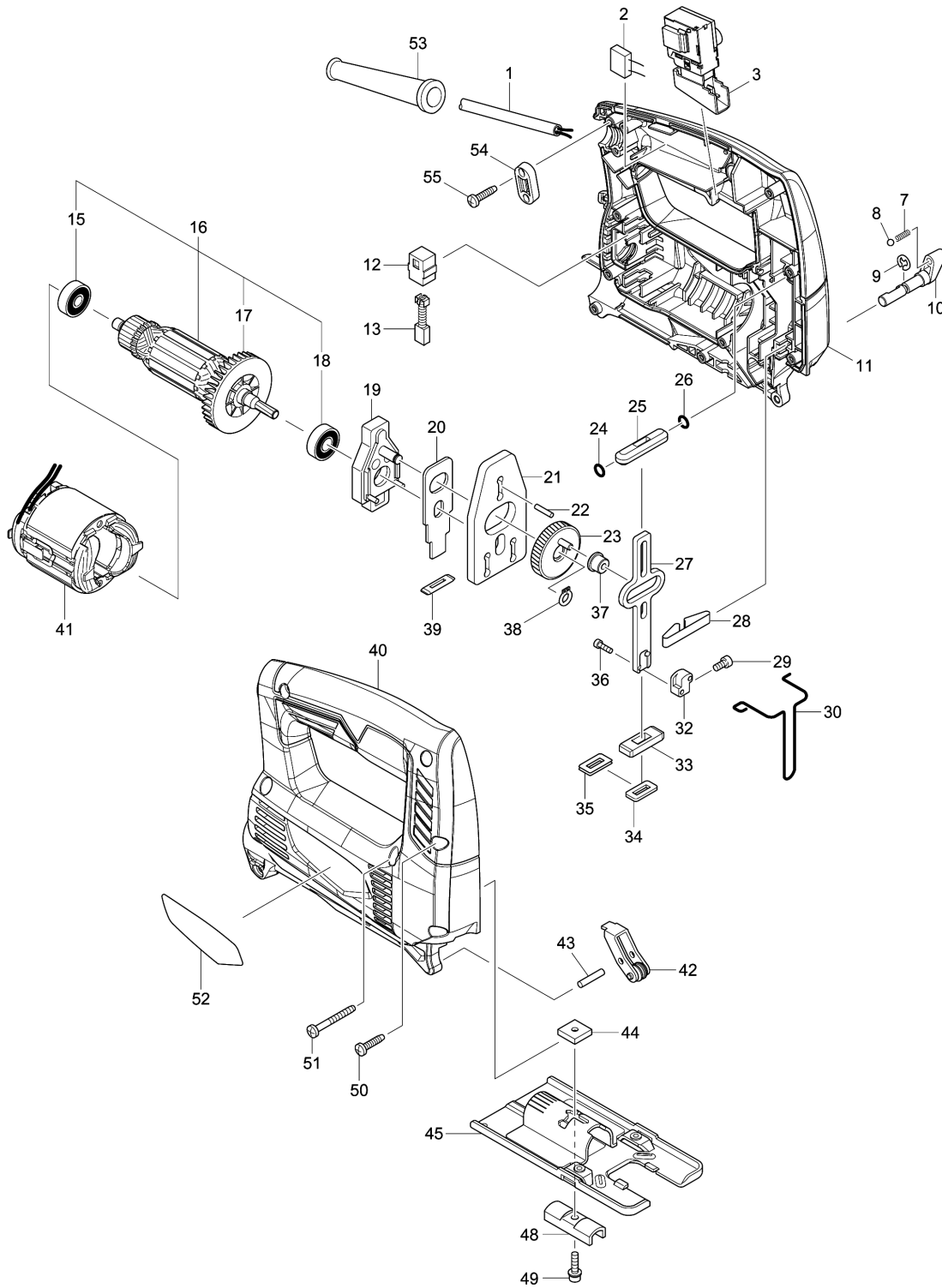


Model No.M4301 JIG SAW



Model No.M4301 JIG SAW

| Item | Parts No. | Description | I/C | QTY | New/Old | Opt. 1 | Opt. 2 | NOTE |
|--------|-----------|-----------------------------|-----|-----|---------|--------|--------|------|
| 001 | 666764-2 | POWER SUPPLY CORD 1.0-2-2.0 | | 1 | * | | | |
| 001-1 | 697207-3 | POWER SUPPLY CORD 1.0-2-2.0 | O | 1 | | | | |
| 002 | 645239-4 | NOISE SUPPRESSOR | | 1 | | | | |
| 003 | 650633-7 | SWITCH DGQ-1104H-03 | | 1 | | | | |
| 007 | 233151-6 | COMPRESSION SPRING 4 | | 1 | | | | |
| 008 | 216008-6 | STEEL BALL 4 | | 1 | | | | |
| 009 | 961011-9 | STOP RING E-4 | | 1 | | | | |
| 010 | 272267-2 | LEVER 19 | | 1 | | | | |
| 011A | 183E11-1 | HOUSING SET | | 1 | | | | |
| 011B | 183E27-6 | HOUSING SET | | 1 | | | | |
| C10 | 263002-9 | RUBBER PIN 4 | | 2 | | | | |
| D10 | | INC. 40 | | | | | | |
| 012 | 643552-4 | BRUSH HOLDER 5-8 | | 2 | | | | |
| 013 | 194968-1 | CARBON BRUSH SET CB-64 | | 1 | | | | |
| 015 | 210030-5 | BALL BEARING 627ZZ | | 1 | | | | |
| 016A | 510188-3 | ARMATURE ASSEMBLY 240V | | 1 | * | | | |
| D10 | | INC. 15,17,18 | | | * | | | |
| 016-1A | 510412-4 | ARMATURE ASS'Y 240V | O | 1 | | | | |
| D10 | | INC. 15,17,18 | | | | | | |
| 016-1B | 510412-4 | ARMATURE ASS'Y 240V | | 1 | | | | |
| D10 | | INC. 15,17,18 | | | | | | |
| 017 | 241881-5 | FAN 52 | | 1 | | | | |
| 018A | 210044-4 | BALL BEARING 608DDW | | 1 | * | | | |
| 018-1A | 210200-6 | BALL BEARING 608DDW | O | 1 | | | | |
| 018-1B | 210200-6 | BALL BEARING 608DDW | | 1 | | | | |
| 019 | 152600-3 | BEARING CASE COMPLETE | | 1 | | | | |
| 020 | 344683-9 | PUSH PLATE | | 1 | | | | |
| 021 | 344614-8 | BALANCE PLATE | | 1 | | | | |
| 022 | 256254-9 | PIN 3 | | 1 | | | | |
| 023 | 153260-4 | GEAR COMPLETE | | 1 | | | | |
| 024 | 213038-8 | O RING 5 | | 1 | | | | |
| 025 | 313082-6 | SLIDER GUIDE | | 1 | | | | |
| 026 | 213038-8 | O RING 5 | | 1 | | | | |
| 027 | 344613-0 | SLIDER | | 1 | | | | |
| 028 | 232183-0 | LEAF SPRING | | 1 | | | | |
| 029 | 922107-1 | HEX. SOCKET HEAD BOLT M4X8 | | 1 | | | | |
| 030 | 323748-0 | SAFETY WIRE | | 1 | | | | |
| 032 | 313140-8 | BLADE CLAMP | | 1 | | | | |
| 033 | 313086-8 | SLIDER SUPPORT | | 1 | | | | |
| 034 | 423307-1 | POLY URETANE SPONGE SEAL | | 1 | | | | |

Model No.M4301 JIG SAW

| Item | Parts No. | Description | I/C | QTY | New/Old | Opt. 1 | Opt. 2 | NOTE |
|--------|-----------|--------------------------------|-----|-----|---------|--------|--------|------|
| 035 | 344686-3 | SEAL PLATE | | 1 | | | | |
| 036 | 266177-3 | HEX. SOCKET HEAD BOLT M3X10 | | 2 | | | | |
| 037 | 257683-9 | COLLAR SLEEVE | | 1 | | | | |
| 038 | 961002-0 | RETAINING RING S-6 | | 1 | | | | |
| 039 | 416703-0 | DUST SEAL | | 1 | | | | |
| 040A | 183E11-1 | HOUSING SET | | 1 | | | | |
| 040B | 183E27-6 | HOUSING SET | | 1 | | | | |
| C10 | 263002-9 | RUBBER PIN 4 | | 2 | | | | |
| D10 | | INC. 11 | | | | | | |
| 041 | 633733-8 | FIELD 220-240V | | 1 | | | | |
| 042 | 158392-2 | RETAINER COMPLETE | | 1 | | | | |
| 043 | 256117-9 | PIN 4 | | 1 | | | | |
| 044 | 343540-8 | HOLDER | | 1 | | | | |
| 045 | 163397-9 | BASE | | 1 | | | | |
| 048A | 344685-5 | CLAMP PLATE | | 1 | * | | | |
| 048-1A | 344685-5 | CLAMP PLATE | O | 1 | | | | |
| 048-1B | 344685-5 | CLAMP PLATE | | 1 | | | | |
| 049 | 922128-3 | HEX. SOCKET HEAD BOLT M4X16 | | 1 | | | | |
| 050 | 265995-6 | TAPPING SCREW 4X18 | | 9 | | | | |
| 051 | 266351-3 | TAPPING SCREW 4X35 | | 1 | | | | |
| 052 | 852A95-3 | M4301 NAME PLATE | | 1 | | | | |
| 053 | 682569-2 | CORD GUARD 8-85 | | 1 | | | | |
| 054 | 687124-5 | STRAIN RELIEF | | 1 | | | | |
| 055 | 265995-6 | TAPPING SCREW 4X18 | | 2 | | | | |
| A01 | 783201-2 | HEX. WRENCH 3 | | 1 | | | | |
| A02 | A-85628 | JIGSAW BLADE NO.B10 | | 1 | | | | |

Please order the parts with part number.

Print Date 6/4/2021