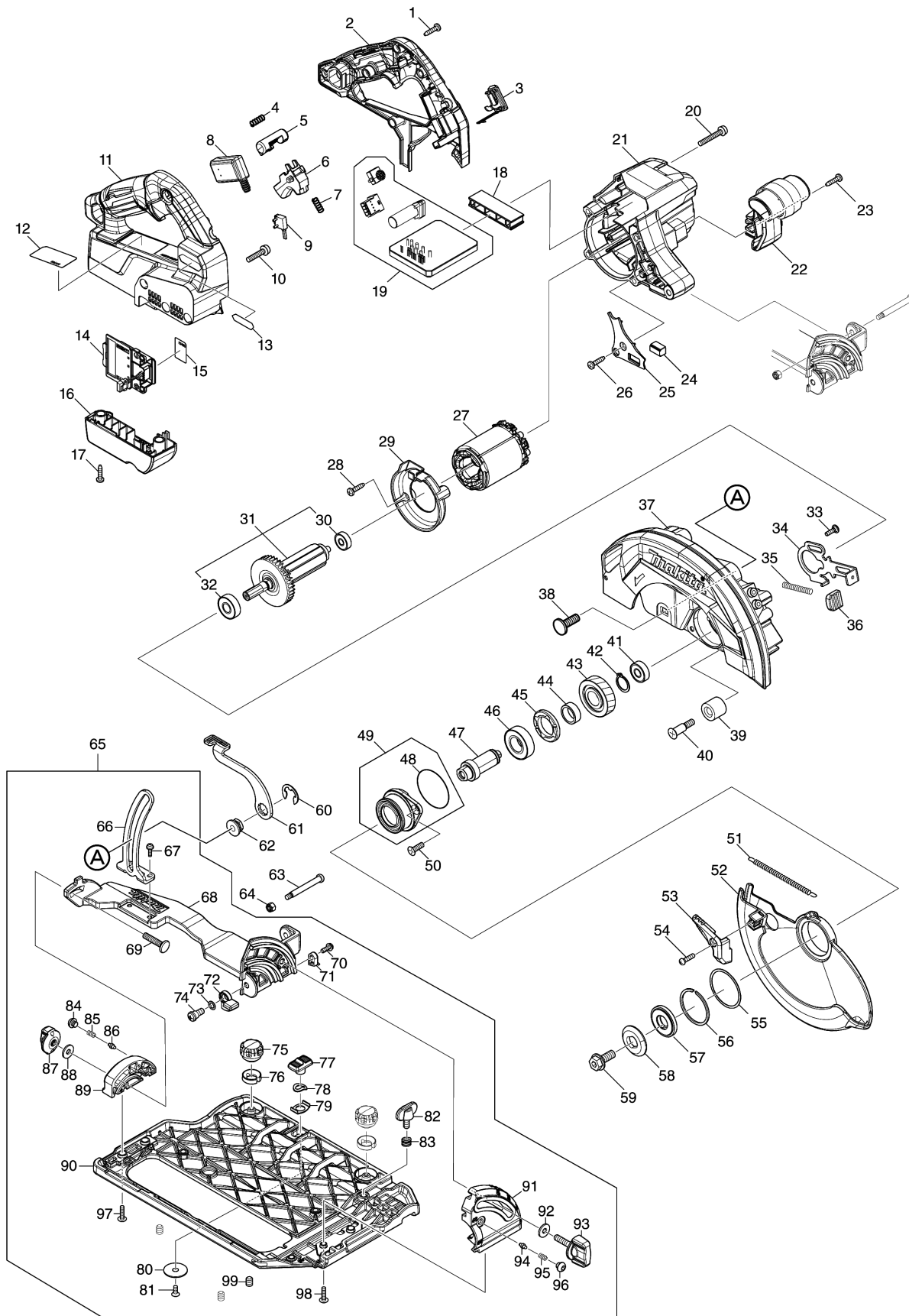


# Model No.HS004G 185MM CORDLESS CIRCULAR SAW





## Model No.HS004G 185MM CORDLESS CIRCULAR SAW

| Item | Parts No. | Description               | I/C | QTY | New/Old | Opt. 1 | Opt. 2 | NOTE |
|------|-----------|---------------------------|-----|-----|---------|--------|--------|------|
| 001  | 266326-2  | TAPPING SCREW 4X18        |     | 6   |         |        |        |      |
| 002  | 183R15-1  | HANDLE SET                |     | 1   |         |        |        |      |
| C10  | 263005-3  | RUBBER PIN 6              |     | 1   |         |        |        |      |
| D10  |           | INC. 11                   |     |     |         |        |        |      |
| 003  | 140F99-0  | CAP COMPLETE              |     | 1   |         |        |        |      |
| C10  | 213218-6  | O RING 16                 |     | 1   | *       |        |        |      |
| C11  | 213A05-9  | O-RING16                  | O   | 1   |         |        |        |      |
| C20  | 818H07-8  | CAP LABEL                 |     | 1   |         |        |        |      |
| 004  | 231433-0  | COMPRESSION SPRING 4      |     | 1   |         |        |        |      |
| 005  | 419704-7  | LOCK OFF BUTTON           |     | 1   |         |        |        |      |
| 006  | 458594-3  | SWITCH LEVER              |     | 1   |         |        |        |      |
| 007  | 231433-0  | COMPRESSION SPRING 4      |     | 1   |         |        |        |      |
| 008  | 651083-9  | SWITCH C3XA-1PSPM         |     | 1   |         |        |        |      |
| 009  | 632M92-5  | SWITCH UNIT               |     | 1   |         |        |        |      |
| 010  | 911243-8  | PAN HEAD SCREW M5X25      |     | 3   |         |        |        |      |
| 011  | 183R15-1  | HANDLE SET                |     | 1   |         |        |        |      |
| C10  | 263005-3  | RUBBER PIN 6              |     | 1   |         |        |        |      |
| D10  |           | INC. 2                    |     |     |         |        |        |      |
| 012  | 857E51-2  | HS004G NAME PLATE         |     | 1   |         |        |        |      |
| 013  | 8012U4-2  | XGT LOGO LABEL            |     | 1   |         |        |        |      |
| 014  | 632P65-6  | TERMINAL UNIT             |     | 1   |         |        |        |      |
| 015  | 857E58-8  | HS004G SERIAL NO. LABEL   |     | 1   |         |        |        |      |
| 016  | 140S46-9  | TERMINAL HOUSING COMPLETE |     | 1   |         |        |        |      |
| C10  | 263005-3  | RUBBER PIN 6              |     | 1   |         |        |        |      |
| 017  | 266326-2  | TAPPING SCREW 4X18        |     | 2   |         |        |        |      |
| 018  | 412480-2  | SPACER                    |     | 1   |         |        |        |      |
| 019  | 620D01-2  | CONTROLLER                |     | 1   |         |        |        |      |
| 020  | 911258-5  | PAN HEAD SCREW M5X35      |     | 4   |         |        |        |      |
| 021  | 458746-6  | MOTOR HOUSING             |     | 1   |         |        |        |      |
| 022  | 458750-5  | FRONT GRIP                |     | 1   |         |        |        |      |
| 023  | 266326-2  | TAPPING SCREW 4X18        |     | 1   |         |        |        |      |
| 024  | 620936-3  | LED CIRCUIT               |     | 1   |         |        |        |      |
| 025  | 458751-3  | LIGHT COVER               |     | 1   |         |        |        |      |
| 026  | 266326-2  | TAPPING SCREW 4X18        |     | 1   |         |        |        |      |
| 027  | 629479-2  | STATOR                    |     | 1   |         |        |        |      |
| 028  | 266326-2  | TAPPING SCREW 4X18        |     | 2   |         |        |        |      |
| 029  | 458749-0  | BAFFLE PLATE              |     | 1   |         |        |        |      |
| 030  | 210022-4  | BALL BEARING 626DDW       |     | 1   |         |        |        |      |
| 031  | 519534-7  | ROTOR ASSY                |     | 1   |         |        |        |      |
| D10  |           | INC. 30,32                |     |     |         |        |        |      |
| 032  | 210059-1  | BALL BEARING 6000DDW      |     | 1   |         |        |        |      |
| 033  | 251529-1  | + PAN HEAD SCREW M4X14    |     | 1   |         |        |        |      |

Please order the parts with part number.

Print Date 8/27/2021

## Model No.HS004G 185MM CORDLESS CIRCULAR SAW

| Item | Parts No. | Description                       | I/C | QTY | New/Old | Opt. 1 | Opt. 2 | NOTE |
|------|-----------|-----------------------------------|-----|-----|---------|--------|--------|------|
| 034  | 347676-5  | SHAFT LOCK                        |     | 1   |         |        |        |      |
| 035  | 233084-5  | COMPRESSION SPRING 6              |     | 1   |         |        |        |      |
| 036  | 286039-9  | CAP                               |     | 1   |         |        |        |      |
| 037  | 140S43-5  | BLADE CASE COMPLETE               |     | 1   |         |        |        |      |
| C10  | 213434-0  | O RING 26                         |     | 1   |         |        |        |      |
| C20  | 263005-3  | RUBBER PIN 6                      |     | 1   |         |        |        |      |
| C30  | 818C46-8  | SCALE LABEL                       |     | 1   |         |        |        |      |
| 038  | 266396-1  | FLATHEAD<br>SQUARENECKBOLT M8X24  |     | 1   |         |        |        |      |
| 039  | 262185-2  | RUBBER SLEEVE8                    |     | 1   |         |        |        |      |
| 040  | 251572-0  | + COUNTERSUNK HEAD<br>SCREW M6X30 |     | 1   |         |        |        |      |
| 041  | 210029-0  | BALL BEARING 608ZZ                |     | 1   |         |        |        |      |
| 042  | 961057-5  | RETAINING RING S-17               |     | 1   |         |        |        |      |
| 043  | 226838-7  | HELICAL GEAR 37                   |     | 1   |         |        |        |      |
| 044  | 257451-0  | RING 17                           |     | 1   |         |        |        |      |
| 045  | 285809-3  | BEARING RETAINER 23-36            |     | 1   |         |        |        |      |
| 046  | 210301-0  | BALL BEARING 6003DDW              |     | 1   |         |        |        |      |
| 047  | 327192-3  | SPINDLE                           |     | 1   |         |        |        |      |
| 048  | 213565-5  | O RING 42                         |     | 1   |         |        |        |      |
| 049  | 136021-7  | BEARING BOX ASSY                  |     | 1   |         |        |        |      |
| D10  |           | INC. 48                           |     |     |         |        |        |      |
| 050  | 265034-2  | + COUNTERSUNK HEAD<br>SCREW M5X16 |     | 2   |         |        |        |      |
| 051  | 232467-6  | TENSION SPRING 4                  |     | 1   |         |        |        |      |
| 052  | 319970-5  | SAFETY COVER                      |     | 1   |         |        |        |      |
| 053  | 271450-8  | LEVER 37                          |     | 1   |         |        |        |      |
| 054  | 265178-8  | PAN HEAD SCREW M4X16              |     | 1   |         |        |        |      |
| 055  | 267337-0  | FLAT WASHER 40                    |     | 1   |         |        |        |      |
| 056  | 257452-8  | RETAINING RING (EXT) WR-40        |     | 1   |         |        |        |      |
| 057  | 224593-5  | INNER FLANGE 35                   |     | 1   |         |        |        |      |
| 058  | 224409-4  | OUTER FLANGE 35                   |     | 1   |         |        |        |      |
| 059  | 266283-4  | HEX. SOCKET HEX. BOLT<br>M8X20    |     | 1   |         |        |        |      |
| 060  | 257953-6  | BOW STOP RING E-12                |     | 1   |         |        |        |      |
| 061  | 271460-5  | LEVER 90                          |     | 1   |         |        |        |      |
| 062  | 252262-8  | COLLERED HEX. NUT M8              |     | 1   |         |        |        |      |
| 063  | 265118-6  | + PAN HEAD SCREW M5               |     | 1   |         |        |        |      |
| 064  | 252103-8  | HEX. LOCK NUT M5-8                |     | 1   |         |        |        |      |
| 065  | 136280-3  | BASE ASSY                         |     | 1   |         |        |        |      |
| D10  |           | INC. 66-99                        |     |     |         |        |        |      |
| 066  | 347532-9  | DEPTH GUIDE                       |     | 1   |         |        |        |      |
| 067  | 911516-9  | PAN HEAD SCREW M4X12              |     | 2   |         |        |        |      |
| 068  | 319975-5  | FRAME                             |     | 1   |         |        |        |      |

Please order the parts with part number.

Print Date 8/27/2021

## Model No.HS004G 185MM CORDLESS CIRCULAR SAW

| Item | Parts No. | Description                      | I/C | QTY | New/Old | Opt. 1 | Opt. 2 | NOTE |
|------|-----------|----------------------------------|-----|-----|---------|--------|--------|------|
| 069  | 251920-3  | CAP SQUARE NECK BOLT<br>M6X30    |     | 1   |         |        |        |      |
| 070  | 911118-1  | PAN HEAD SCREW M4X12             |     | 1   |         |        |        |      |
| 071  | 419632-6  | POSITION PLATE                   |     | 1   |         |        |        |      |
| 072  | 319978-9  | STOPPER                          |     | 1   |         |        |        |      |
| 073  | 213026-5  | O RING 7                         |     | 1   |         |        |        |      |
| 074  | 251267-5  | + PAN HEAD SCREW M6              |     | 1   |         |        |        |      |
| 075  | 265775-0  | THUMB SCREW M4X3                 |     | 2   |         |        |        |      |
| 076  | 419627-9  | HOLDER                           |     | 2   |         |        |        |      |
| 077  | 458092-7  | SLIDE LEVER                      |     | 1   |         |        |        |      |
| 078  | 253932-2  | WAVE WASHER 10                   |     | 1   |         |        |        |      |
| 079  | 345977-5  | PLATE                            |     | 1   |         |        |        |      |
| 080  | 345748-0  | LOCK WASHER                      |     | 1   |         |        |        |      |
| 081  | 912112-6  | COUNTERSUNK HEAD SCREW<br>M4X10  |     | 1   |         |        |        |      |
| 082  | 265701-9  | THUMB SCREW M6X14                |     | 1   |         |        |        |      |
| 083  | 233376-2  | COMPRESSION SPRING 8             |     | 1   |         |        |        |      |
| 084  | 266559-9  | H.S.BUTTON HEAD BOLT<br>M6X4     |     | 1   |         |        |        |      |
| 085  | 231234-6  | COMPRESSION SPRING 3.5           |     | 1   |         |        |        |      |
| 086  | 263041-9  | SHOULDER PIN 3-5                 |     | 1   |         |        |        |      |
| 087  | 252270-9  | THUMB NUT M6                     |     | 1   |         |        |        |      |
| 088  | 253111-2  | FLAT WASHER 6                    |     | 1   |         |        |        |      |
| 089  | 319977-1  | REAR ANGULAR PLATE               |     | 1   |         |        |        |      |
| 090  | 319974-7  | BASE                             |     | 1   |         |        |        |      |
| 091  | 319976-3  | FRONT ANGULAR PLATE              |     | 1   |         |        |        |      |
| 092  | 253111-2  | FLAT WASHER 6                    |     | 1   |         |        |        |      |
| 093  | 265776-8  | THUMB SCREW M6X26                |     | 1   |         |        |        |      |
| 094  | 263041-9  | SHOULDER PIN 3-5                 |     | 1   |         |        |        |      |
| 095  | 231234-6  | COMPRESSION SPRING 3.5           |     | 1   |         |        |        |      |
| 096  | 266559-9  | H.S.BUTTON HEAD BOLT<br>M6X4     |     | 1   |         |        |        |      |
| 097  | 265174-6  | + TRUSS HEAD SCREW M4X16         |     | 2   |         |        |        |      |
| 098  | 265174-6  | + TRUSS HEAD SCREW M4X16         |     | 2   |         |        |        |      |
| 099  | 266225-8  | H.S.SET SCREW(FLAT<br>POINT)M6X8 |     | 3   |         |        |        |      |
| A01  | 196520-1  | DUST NOZZLE SET                  |     | 1   |         |        |        |      |
| A02  | B-62044   | TCT BLADE185X24T WOOD<br>EFFICUT |     | 1   |         |        |        |      |
| A03  | 783204-6  | HEX. WRENCH 6                    |     | 1   |         |        |        |      |
| A14  | 164095-8  | GUIDE RULE                       |     | 1   |         |        |        |      |
| A15  | 199386-8  | HOOK SET                         |     | 1   |         |        |        |      |
| C10  | 911228-4  | PAN HEAD SCREW M5X18             |     | 2   |         |        |        |      |

Please order the parts with part number.

Print Date 8/27/2021