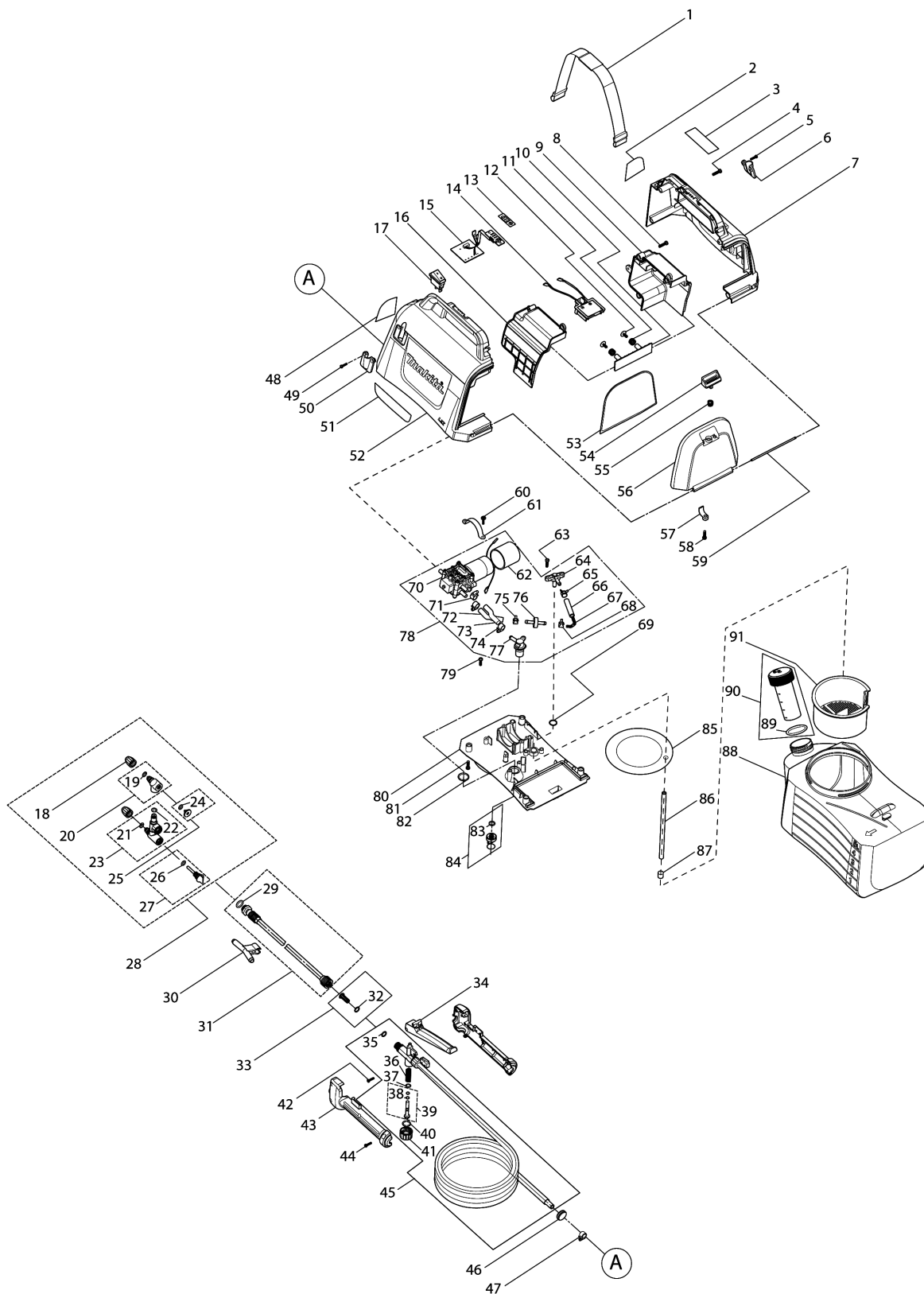


Model No.DUS054 CORDLESS GARDEN SPRAYER



2020/11
DUS054

Model No.DUS054 CORDLESS GARDEN SPRAYER

| Item | Parts No. | Description | I/C | QTY | New/Old | Opt. 1 | Opt. 2 | NOTE |
|------|------------|-------------------------|-----|-----|---------|--------|--------|------|
| 001 | PR00000128 | SHOULDER STRAP | | 1 | | | | |
| 002 | PR00000206 | WARNING TEXT LABEL-EN | | 1 | | | | |
| 003 | PR00000224 | RATING LABEL-0013 | | 1 | | | | |
| 004 | PR00000183 | TAPPINNG SCREW ST4.0X16 | | 6 | | | | |
| 005 | PR00000182 | TAPPINNG SCREW ST2.9X12 | | 2 | | | | |
| 006 | PR00000191 | HOLDER | | 1 | | | | |
| 007 | PR00000192 | HOUSING SET | | 1 | | | | |
| D10 | | INC. 52 | | | | | | |
| 008 | PR00000183 | TAPPINNG SCREW ST4.0X16 | | 4 | | | | |
| 009 | PR00000193 | BATTERY HOUSING | | 1 | | | | |
| D10 | | INC. 16 | | | | | | |
| 010 | PR00000130 | DAM-BOARD | | 1 | | | | |
| 011 | PR00000194 | SPRING | | 2 | | | | |
| 012 | PR00000132 | TAPPING SCREW ST4.0X12 | | 2 | | | | |
| 013 | PR00000133 | INDICATION LABEL | | 1 | | | | |
| 014 | PR00000195 | TERMINAL | | 1 | | | | |
| 015 | PR00000196 | PCB | | 1 | | | | |
| 016 | PR00000193 | BATTERY HOUSING | | 1 | | | | |
| D10 | | INC. 9 | | | | | | |
| 017 | PR00000136 | SWITCH | | 1 | | | | |
| 018 | PR00000137 | SPRAY HEAD | | 2 | | | | |
| 019 | PR00000186 | O RING 6X2 | | 1 | | | | |
| 020 | PR00000138 | NOZZLE HOLDER | | 1 | | | | |
| D10 | | INC. 19 | | | | | | |
| 021 | PR00000186 | O RING 6X2 | | 1 | | | | |
| 022 | PR00000186 | O RING 6X2 | | 1 | | | | |
| 023 | PR00000139 | ROD JOINT | | 1 | | | | |
| D10 | | INC. 21,22 | | | | | | |
| 024 | PR00000186 | O RING 6X2 | | 1 | | | | |
| 025 | PR00000140 | END CAP | | 1 | | | | |
| D10 | | INC. 24 | | | | | | |
| 026 | PR00000186 | O RING 6X2 | | 1 | | | | |
| 027 | PR00000141 | ADJUSTING KNOB | | 1 | | | | |
| D10 | | INC. 26 | | | | | | |
| 028 | PR00000142 | TOW HEAD NOZZLE | | 1 | | | | |
| D10 | | INC. 18,20,23,25,27 | | | | | | |
| 029 | PR00000143 | SEAL PAD 9X17X2 | | 1 | | | | |
| 030 | PR00000144 | HOOK | | 1 | | | | |
| 031 | PR00000145 | SPRAY WAND | | 1 | | | | |
| D10 | | INC. 29 | | | | | | |
| 032 | PR00000146 | O SEAL RING 4.5X1.5 | | 1 | | | | |
| 033 | PR00000147 | FILTER ASSEMBLY | | 1 | | | | |

Please order the parts with part number.

Print Date 3/4/2021

Model No.DUS054 CORDLESS GARDEN SPRAYER

| Item | Parts No. | Description | I/C | QTY | New/Old | Opt. 1 | Opt. 2 | NOTE |
|------|------------|-------------------------|-----|-----|---------|--------|--------|------|
| D10 | | INC. 32 | | | | | | |
| 034 | PR00000148 | HANDLE TRIGGER ASSEMBLY | | 1 | | | | |
| 035 | PR00000149 | O RING 8X1.8 | | 1 | | | | |
| 036 | PR00000150 | SPRING | | 1 | | | | |
| 037 | PR00000204 | O RING 6X2 | | 1 | | | | |
| 038 | PR00000205 | O RING 3X1 | | 2 | | | | |
| 039 | PR00000151 | VALVE ROD | | 1 | | | | |
| D10 | | INC. 38 | | | | | | |
| 040 | PR00000190 | O RING | | 1 | | | | |
| 041 | PR00000152 | LOCK COVER | | 1 | | | | |
| 042 | PR00000182 | TAPPINNG SCREW ST2.9X12 | | 1 | | | | |
| 043 | PR00000153 | HANDLE SET | | 1 | | | | |
| 044 | PR00000182 | TAPPINNG SCREW ST2.9X12 | | 5 | | | | |
| 045 | PR00000154 | SPRAY HOSE ASSEMBLY | | 1 | | | | |
| D10 | | INC. 35,36,37,39,40,41 | | | | | | |
| 046 | PR00000155 | SPRAY HOSE SLEEV | | 1 | | | | |
| 047 | PR00000184 | HOSE CLAMP | | 1 | | | | |
| 048 | PR00000211 | WARNING LOGO LABEL | | 1 | | | | |
| 049 | PR00000182 | TAPPINNG SCREW ST2.9X12 | | 2 | | | | |
| 050 | PR00000191 | HOLDER | | 1 | | | | |
| 051 | PR00000197 | DECORATION LABEL | | 1 | | | | |
| 052 | PR00000192 | HOUSING SET | | 1 | | | | |
| D10 | | INC. 7 | | | | | | |
| 053 | PR00000198 | BATTERY COVER SEAL PAD | | 1 | | | | |
| 054 | PR00000159 | BATTERY COVER BUTTON | | 1 | | | | |
| 055 | PR00000160 | SPRING | | 1 | | | | |
| 056 | PR00000199 | BATTERY COVER | | 1 | | | | |
| 057 | PR00000162 | PRESS-BUTTON | | 1 | | | | |
| 058 | PR00000007 | TAPPING SCREW | | 1 | | | | |
| 059 | PR00000163 | SHAFT | | 1 | | | | |
| 060 | PR00000183 | TAPPINNG SCREW ST4.0X16 | | 2 | | | | |
| 061 | PR00000164 | MOTOR FIXED BLOCK | | 1 | | | | |
| 062 | PR00000165 | SHOCK ABSORBER RING | | 1 | | | | |
| 063 | PR00000183 | TAPPINNG SCREW ST4.0X16 | | 2 | | | | |
| 064 | PR00000166 | INLET CONNECTION | | 1 | | | | |
| 065 | PR00000188 | HOSE CLIP | | 1 | | | | |
| 066 | PR00000187 | DELIVERY TUBE | | 1 | | | | |
| 067 | PR00000167 | SPRING | | 1 | | | | |
| 068 | PR00000188 | HOSE CLIP | | 1 | | | | |
| 069 | PR00000190 | O RING | | 1 | | | | |
| 070 | PR00000200 | WATER PUMP UNIT | | 1 | | | | |
| 071 | PR00000184 | HOSE CLAMP | | 2 | | | | |

Please order the parts with part number.

Print Date 3/4/2021

Model No.DUS054 CORDLESS GARDEN SPRAYER

| Item | Parts No. | Description | I/C | QTY | New/Old | Opt. 1 | Opt. 2 | NOTE |
|------|------------|-------------------------|-----|-----|---------|--------|--------|------|
| 072 | PR00000187 | DELIVERY TUBE | | 1 | | | | |
| 073 | PR00000187 | DELIVERY TUBE | | 1 | | | | |
| 074 | PR00000184 | HOSE CLAMP | | 1 | | | | |
| 075 | PR00000188 | HOSE CLIP | | 1 | | | | |
| 076 | PR00000169 | CHECK VALVE ASSEMBLY | | 1 | | | | |
| 077 | PR00000170 | BASE | | 1 | | | | |
| 078 | PR00000201 | PUMP | | 1 | | | | |
| D10 | | INC. 62,64-68,70-77 | | | | | | |
| 079 | PR00000183 | TAPPINNG SCREW ST4.0X16 | | 2 | | | | |
| 080 | PR00000172 | BASE BOARD | | 1 | | | | |
| 081 | PR00000183 | TAPPINNG SCREW ST4.0X16 | | 4 | | | | |
| 082 | PR00000173 | O RING 17X2 | | 1 | | | | |
| 083 | PR00000186 | O RING 6X2 | | 1 | | | | |
| 084 | PR00000174 | KNOB LOCK CAP ASSEMBLY | | 1 | | | | |
| D10 | | INC. 83 | | | | | | |
| 085 | PR00000175 | SEAL PAD | | 1 | | | | |
| 086 | PR00000176 | SUCTION TUBE | | 1 | | | | |
| 087 | PR00000177 | FILTER | | 1 | | | | |
| 088 | PR00000178 | TANK | | 1 | | | | |
| 089 | PR00000179 | O RING 34X3.5 | | 1 | | | | |
| 090 | PR00000180 | MEASURING CUP | | 1 | | | | |
| D10 | | INC. 89 | | | | | | |
| 091 | PR00000181 | FILTER CARTRIDGE | | 1 | | | | |

Please order the parts with part number.

Print Date 3/4/2021