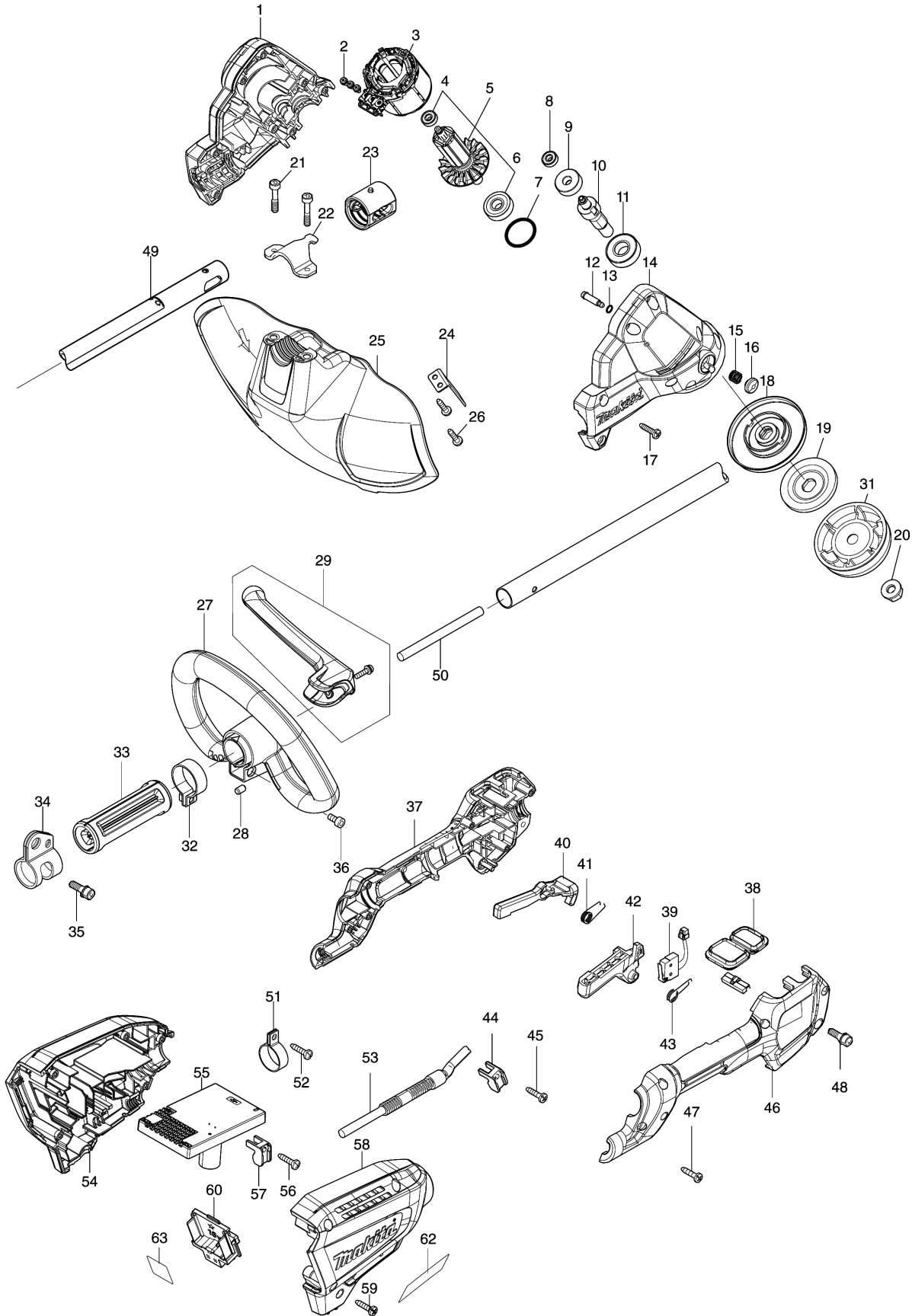


# Model No.DUR190L CORDLESS GRASS TRIMMER





## Model No.DUR190L CORDLESS GRASS TRIMMER

Item	Parts No.	Description	I/C	QTY	New/Old	Opt. 1	Opt. 2	NOTE
001	183P06-0	MOTOR HOUSING SET		1				
	D10	INC. 14						
002	652069-6	FLAT HEAD SCREW M3X6		3				
003	629248-1	STATOR		1				
004	210215-3	BALL BEARING 695ZZ		1				
005	510449-1	ROTOR ASS'Y		1				
	D10	INC. 4,6						
006	210049-4	BALL BEARING 609ZZ		1				
007	213380-7	O RING 24		1				
008	210215-3	BALL BEARING 695ZZ		1				
009	221492-2	HELICAL GEAR 26		1				
010	327542-2	CUTTER SHAFT		1				
011	211131-2	BALL BEARING 6001DDW		1				
012	256546-6	SHOULDER PIN 4		1				
013	213021-5	O RING 5		1				
014	183P06-0	MOTOR HOUSING SET		1				
	D10	INC. 1						
015	233072-2	COMPRESSION SPRING 8		1				
016	412408-0	PIN CAP		1				
017	266326-2	TAPPING SCREW 4X18		8				
018	140T23-7	RECEIVE WASHER COMPLETE		1				
019	347668-4	CLAMP WASHER		1				
020	264025-0	HEX. NUT M10-17		1				
021	251513-6	H.S.H.BOLT M5X25		2				
022	347667-6	PROTECTOR CLAMP		1				
023	424567-8	RUBBER SLEEVE 24		1				
024	346855-2	CUTTER		1				
025	412392-9	PROTECTOR		1				
026	266326-2	TAPPING SCREW 4X18		2				
027	457937-6	LOOP HANDLE 24		1				
028	263005-3	RUBBER PIN 6		1				
029	143695-7	BARRIER COMPLETE		1				
	C10	P.H.SCREW M4X16 WITH WR		1				
031	168526-9	CUP		1				
032	347011-7	PIPE CLAMP 29		1				
033	451601-1	SPACER 24		1				
034	347116-3	HANGER		1				
035	922212-4	HEX. SOCKET HEAD BOLT M5X12		1				
036	922212-4	HEX. SOCKET HEAD BOLT M5X12		1				
037	183P04-4	GRIP SET		1				

Please order the parts with part number.

Print Date 4/15/2020

## Model No.DUR190L CORDLESS GRASS TRIMMER

Item	Parts No.	Description	I/C	QTY	New/Old	Opt. 1	Opt. 2	NOTE
C10	931202-6	HEX. NUT M5		1				
D10		INC. 46						
038	140T18-0	SUB CONTROLLER COMPLETE		1				
C10	8010M7-8	SWITCH LABEL		1				
C20	8010M8-6	INDICATION LABEL		1				
039	632E26-0	SWITCH UNIT		1				
040	455629-1	LOCK OFF LEVER		1				
041	233621-5	TORSION SPRING 9		1				
042	455625-9	SWITCH LEVER		1				
043	233612-6	TORSION SPRING 10		1				
044	687260-7	STRAIN RELIEF		1				
045	266326-2	TAPPING SCREW 4X18		1				
046	183P04-4	GRIP SET		1				
C10	931202-6	HEX. NUT M5		1				
D10		INC. 37						
047	266326-2	TAPPING SCREW 4X18		6				
048	922228-9	H.S.H.BOLT M5X18 WITH WR		1				
049	140T21-1	PIPE COMPLETE		1				
C10	819N87-3	CAUTION LABEL		1				
C20	819312-8	MAKITA LOGO LABEL		1				
050	699090-4	POWER SUPPLY CORD UNIT		1				
051	346248-3	CLAMP 24		1				
052	266326-2	TAPPING SCREW 4X18		1				
053	699149-7	POWER SUPPLY CORD UNIT		1				
054	183P07-8	HOUSING SET		1				
C10	263005-3	RUBBER PIN 6		2				
D10		INC. 58						
055	620C56-1	CONTROLLER		1				
056	266326-2	TAPPING SCREW 4X18		1				
057	687260-7	STRAIN RELIEF		1				
058	183P07-8	HOUSING SET		1				
C10	263005-3	RUBBER PIN 6		2				
D10		INC. 54						
059	266326-2	TAPPING SCREW 4X18		6				
060	644809-6	TERMINAL		1				
062	857D04-5	DUR190L NAME PLATE		1				
063	857D09-5	DUR190L SERIAL NO. LABEL		1				
A01	125516-5	BAND ASSEMBLY		1				
A02	456924-2	TOOL COVER		1				
A03	195150-5	CUTTER BLADE SET		1				

Please order the parts with part number.

Print Date 4/15/2020

## Model No.DUR190L CORDLESS GRASS TRIMMER

Item	Parts No.	Description	I/C	QTY	New/Old	Opt. 1	Opt. 2	NOTE
A04	783013-3	BOX DRIVER 16-17		1				
A05	196324-1	TRIMMER HEAD ASSEMBLY 100-M10L		1				
A06	831304-7	ACCESSORY BAG		1				
A12	783202-0	HEX. WRENCH 4		1				
E01	8014Y7-6	SOUND 92DB LABEL		1				

Please order the parts with part number.

Print Date 4/15/2020