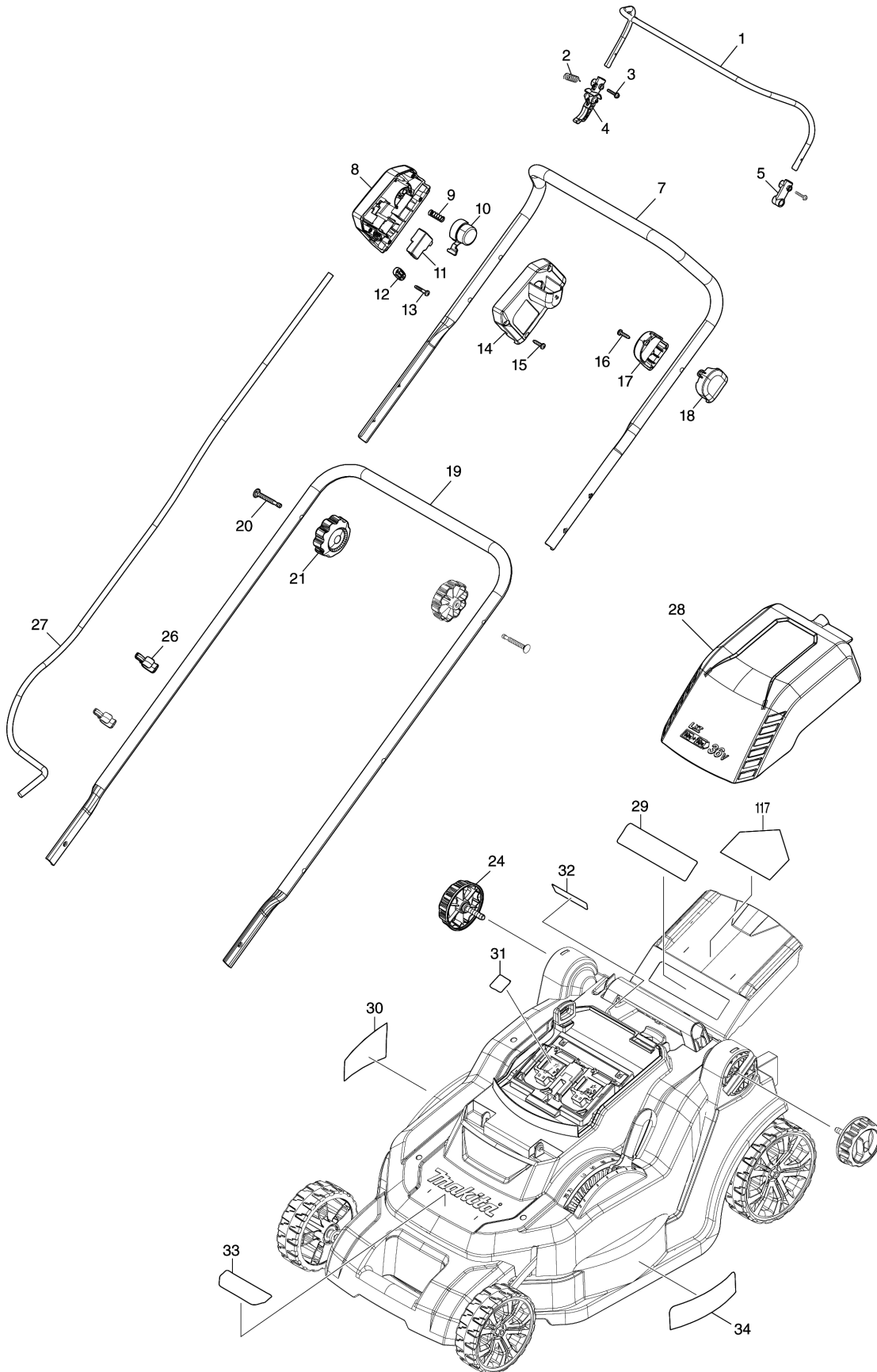
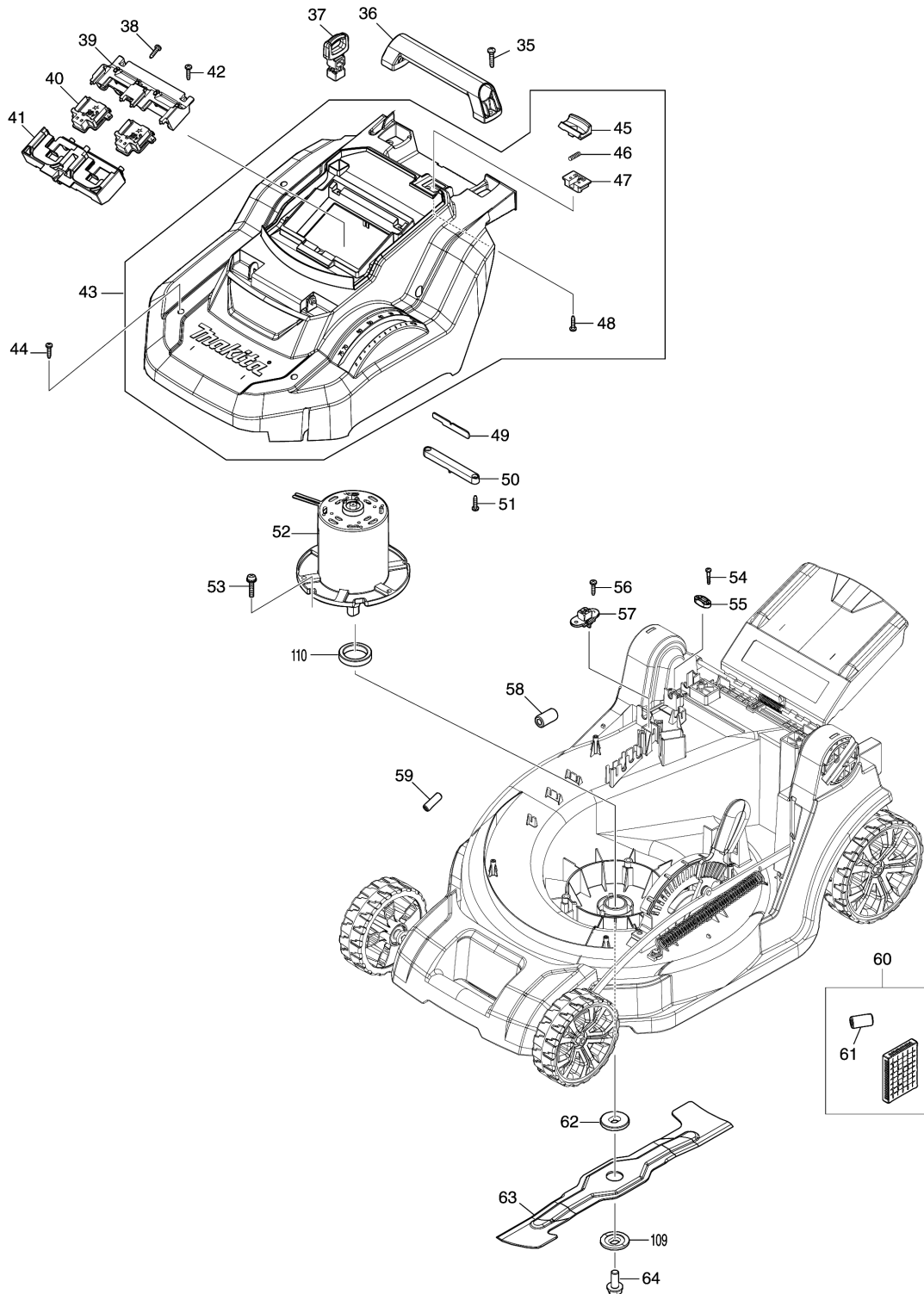


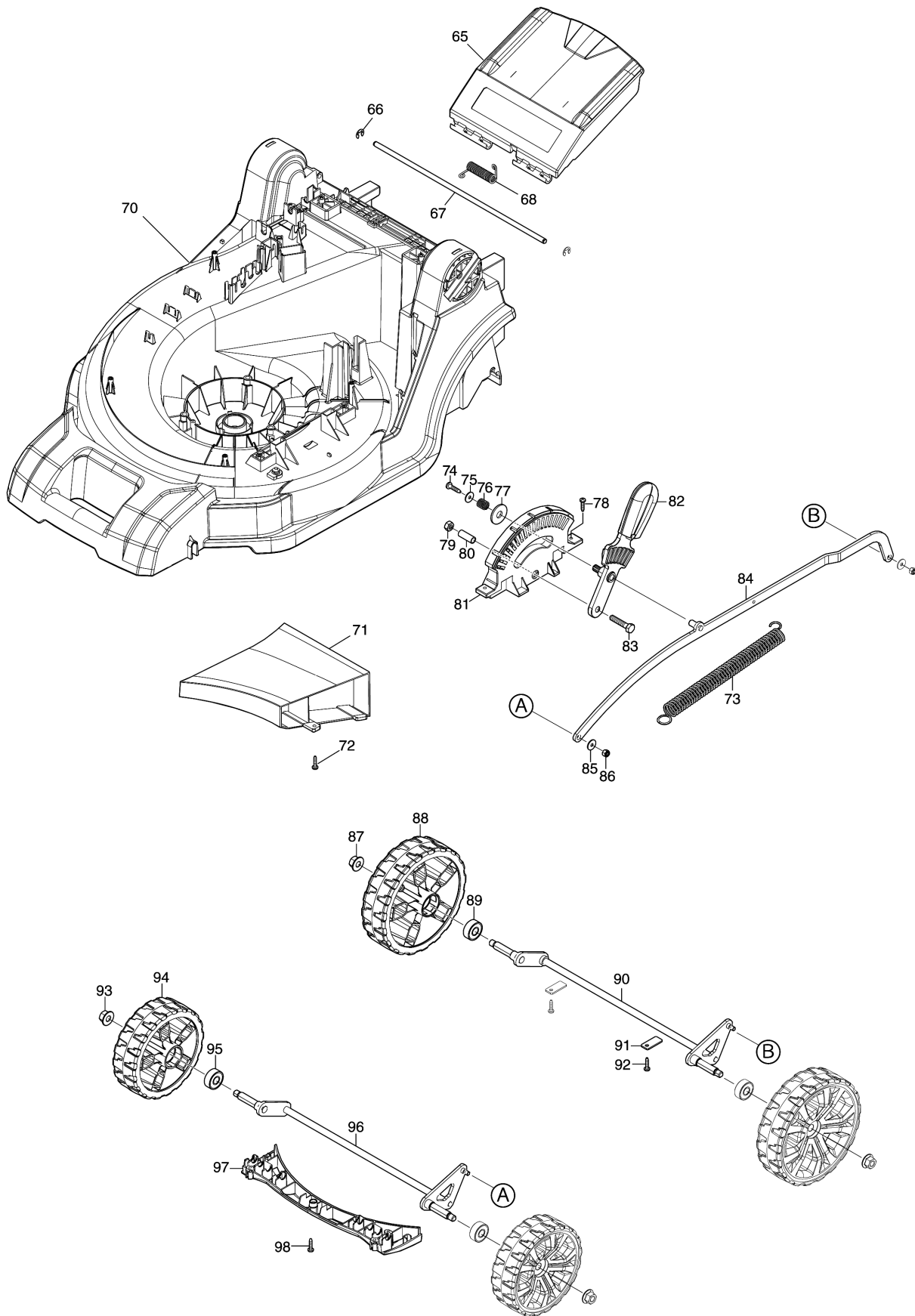
Model No.DLM432 430MM CORDLESS LAWN MOWER



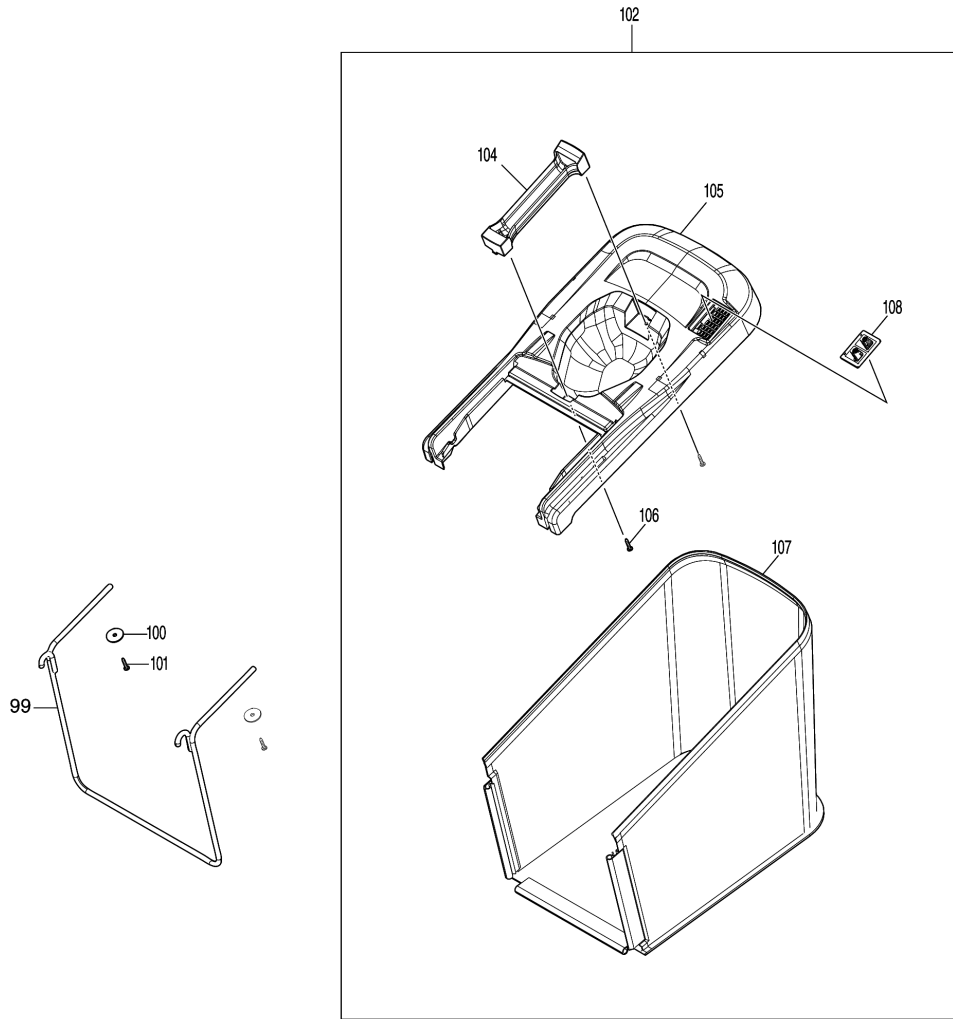
Model No.DLM432 430MM CORDLESS LAWN MOWER



Model No.DLM432 430MM CORDLESS LAWN MOWER



Model No.DLM432 430MM CORDLESS LAWN MOWER



Model No.DLM432 430MM CORDLESS LAWN MOWER

| Item | Parts No. | Description | I/C | QTY | New/Old | Opt. 1 | Opt. 2 | NOTE |
|------|-----------|-------------------------------|-----|-----|---------|--------|--------|------|
| 001 | 326636-0 | SWITCH LEVER | | 1 | | | | |
| 002 | 231876-6 | TENSION SPRING 9 | | 1 | | | | |
| 003 | 911138-5 | P.H.SCREW M4X20 WITH WR | | 2 | | | | |
| 004 | 455075-8 | LEVER | | 1 | | | | |
| 005 | 455078-2 | ARM | | 1 | | | | |
| 007 | 143510-5 | UPPER PIPE COMPLETE | | 1 | | | | |
| 008 | 459804-1 | SWITCH BOX | | 1 | | | | |
| 009 | 233068-3 | COMPRESSION SPRING 6 | | 1 | | | | |
| 010 | 455074-0 | SWITCH BUTTON | | 1 | | | | |
| 011 | 650730-9 | SWITCH TG72BD-6 | | 1 | | | | |
| 012 | 687124-5 | STRAIN RELIEF | | 1 | | | | |
| 013 | 265999-8 | TAPPING SCREW 4X25 | | 2 | | | | |
| 014 | 140N15-0 | SWITCH BOX COVER COMPLETE K | | 1 | | | | |
| C10 | 890374-5 | INDICATION LABEL | | 1 | | | | |
| 015 | 266326-2 | TAPPING SCREW 4X18 | | 4 | | | | |
| 016 | 266326-2 | TAPPING SCREW 4X18 | | 1 | | | | |
| 017 | 456352-1 | SWITCH LEVER CASE COVER | | 1 | | | | |
| 018 | 456351-3 | SWITCH LEVER CASE | | 1 | | | | |
| 019 | 326635-2 | LOWER PIPE | | 1 | | | | |
| 020 | 265A14-4 | CUP H. SQUARE NECK BOLT M6X50 | | 2 | | | | |
| 021 | 264070-5 | THUMB NUT M6 | | 2 | | | | |
| 024 | 266729-0 | THUMB SCREW M8X35 | | 2 | | | | |
| 026 | 459809-1 | HOLDER | | 2 | | | | |
| 027 | 660393-3 | POWER SUPPLY CORD | | 1 | | | | |
| 028 | 140N21-5 | BATTERY COVER COMPLETE E | | 1 | | | | |
| C10 | 8005W1-7 | CAUTION LABEL | | 1 | | | | |
| 029 | 890375-3 | CAUTION LABEL | | 1 | | | | |
| 030 | 856L50-3 | DLM432 NAME PLATE | | 1 | | | | |
| 031 | 856L57-9 | DLM432 SERIAL NO. LABEL | | 1 | | | | |
| 032 | 8005W9-1 | INDICATION LABEL | | 1 | | | | |
| 033 | 8005W4-1 | INDICATION LABEL | | 1 | | | | |
| 034 | 8005W5-9 | INDICATION LABEL | | 1 | | | | |
| 035 | 266459-3 | TAPPING SCREW 5X25 | | 2 | | | | |
| 036 | 273675-0 | GRIP A | | 1 | | | | |
| 037 | 643890-4 | KEY | | 1 | | | | |
| 038 | 266326-2 | TAPPING SCREW 4X18 | | 3 | | | | |
| 039 | 183N35-1 | TERMINAL HOUSING SET | | 1 | | | | |
| C10 | 263005-3 | RUBBER PIN 6 | | 4 | | | | |
| D10 | | INC. 41 | | | | | | |
| 040 | 644809-6 | TERMINAL | | 2 | | | | |
| 041 | 183N35-1 | TERMINAL HOUSING SET | | 1 | | | | |

Please order the parts with part number.

Print Date 6/12/2020

Model No.DLM432 430MM CORDLESS LAWN MOWER

| Item | Parts No. | Description | I/C | QTY | New/Old | Opt. 1 | Opt. 2 | NOTE |
|--------|------------|-----------------------------------|-----|-----|---------|--------|--------|------|
| C10 | 263005-3 | RUBBER PIN 6 | | 4 | | | | |
| D10 | | INC. 39 | | | | | | |
| 042 | 266326-2 | TAPPING SCREW 4X18 | | 3 | | | | |
| 043 | 127387-6 | COWLING M ASSEMBLY | | 1 | | | | |
| D10 | | INC. 45-48 | | | | | | |
| 044 | 266326-2 | TAPPING SCREW 4X18 | | 4 | | | | |
| 045 | 453250-0 | LOCK LEVER | | 1 | | | | |
| 046 | 233173-6 | COMPRESSION SPRING 4 | | 1 | | | | |
| 047 | 453251-8 | LOCK LEVER SUPPORT | | 1 | | | | |
| 048 | 266326-2 | TAPPING SCREW 4X18 | | 2 | | | | |
| 049 | 620B91-3 | LED CIRCUIT | | 1 | | | | |
| 050 | 455070-8 | LED COVER | | 1 | | | | |
| 051 | 266326-2 | TAPPING SCREW 4X18 | | 2 | | | | |
| 052 | 629A18-4 | DC MOTOR | | 1 | | | | |
| 053 | 266774-5 | + PAN HEAD SCREW M6X30 WITH WR | | 3 | | | | |
| 054 | 265999-8 | TAPPING SCREW 4X25 | | 2 | | | | |
| 055 | 687124-5 | STRAIN RELIEF | | 1 | | | | |
| 056 | 266326-2 | TAPPING SCREW 4X18 | | 2 | | | | |
| 057 | 638946-6 | LEAD UNIT | | 1 | | | | |
| 058 | 688162-0 | LINE FILTER | | 1 | | | | |
| 059 | 688165-4 | LINE FILTER | | 2 | | | | |
| 060 | 632P19-3 | CONTROLLER UNIT | | 1 | | | | |
| C10 | 654208-4 | RECEPTACLE | | 1 | | | | |
| D10 | | INC. 61 | | | | | | |
| 061 | 688162-0 | LINE FILTER | | 1 | | | | |
| 062 | 224444-2 | INNER FLANGE 40 | | 1 | | | | |
| 063 | 191D43-8 | BLADE 430 SET | | 1 | | | | |
| 064 | 266731-3 | HEX. BOLT M10X25 | | 1 | | | | |
| 065 | 140S15-0 | REAR FLAP COMPLETE | | 1 | | | | |
| D10 | | INC. 29 | | | | | | |
| 066 | LC961018-5 | STOP RING (EXT) E-5 | | 2 | | | | |
| 067 | 259067-7 | ROD 6 | | 1 | | | | |
| 068 | LC233597-6 | TORSION SPRING 8 | | 1 | | | | |
| 070A | 459780-9 | DECK | | 1 | | | | |
| C10 | 346544-9 | PLATE NUT M8 | | 2 | | | | |
| C20 | 931302-2 | HEX. NUT M6 | | 3 | | | | |
| 070B | 459780-9 | DECK | | 1 | * | | | |
| C10 | 346544-9 | PLATE NUT M8 | | 2 | * | | | |
| C20 | 931302-2 | HEX. NUT M6 | | 3 | * | | | |
| 070-1B | 459780-9 | DECK | O | 1 | | | | |
| C10 | 346544-9 | PLATE NUT M8 | | 2 | | | | |
| C20 | 931302-2 | HEX. NUT M6 | | 3 | | | | |

Please order the parts with part number.

Print Date 6/12/2020

Model No.DLM432 430MM CORDLESS LAWN MOWER

| Item | Parts No. | Description | I/C | QTY | New/Old | Opt. 1 | Opt. 2 | NOTE |
|------|------------|------------------------------|-----|-----|---------|--------|--------|------|
| 071 | 412272-9 | UNDER COVER | | 1 | | | | |
| 072 | 266326-2 | TAPPING SCREW 4X18 | | 3 | | | | |
| 073 | LC231875-8 | TENSION SPRING 16 | | 1 | | | | |
| 074 | 266326-2 | TAPPING SCREW 4X18 | | 1 | | | | |
| 075 | LC267102A7 | FLAT WASHER 4 | | 1 | | | | |
| 076 | LC231297-2 | COMPRESSION SPRING 9 | | 1 | | | | |
| 077 | LC253808A3 | FLAT WASHER 9 | | 1 | | | | |
| 078 | 266326-2 | TAPPING SCREW 4X18 | | 2 | | | | |
| 079 | 931302-2 | HEX. NUT M6 | | 1 | | | | |
| 080 | LC257670A8 | SLEEVE 6 | | 1 | | | | |
| 081 | 453255-0 | ADJUST PLATE | | 1 | | | | |
| 082 | 459099-6 | CHANGE LEVER | | 1 | | | | |
| 083 | LC921352-5 | HEX.BOLT M6X30 | | 1 | | | | |
| 084 | 346543-1 | CONNECTING ROD | | 1 | | | | |
| 085 | LC941101-4 | FLAT WASHER 5 | | 2 | | | | |
| 086 | 252103-8 | HEX. LOCK NUT M5-8 | | 2 | | | | |
| 087 | LC252145-2 | COLLARED HEX. NUT M8 | | 2 | | | | |
| 088 | 459101-5 | REAR WHEEL | | 2 | | | | |
| 089 | LC210070-3 | BALL BEARING 6200ZZ | | 2 | | | | |
| 090 | 165669-8 | REAR SHAFT | | 1 | | | | |
| 091 | LC346545-7 | PLATE | | 2 | | | | |
| 092 | 266326-2 | TAPPING SCREW 4X18 | | 2 | | | | |
| 093 | LC252145-2 | COLLARED HEX. NUT M8 | | 2 | | | | |
| 094 | 459100-7 | FRONT WHEEL | | 2 | | | | |
| 095 | LC210070-3 | BALL BEARING 6200ZZ | | 2 | | | | |
| 096 | 165668-0 | FRONT SHAFT | | 1 | | | | |
| 097 | 456353-9 | FRONT COVER | | 1 | | | | |
| 098 | 266326-2 | TAPPING SCREW 4X18 | | 5 | | | | |
| 099 | 327409-4 | REAR BAG ROD | | 1 | | | | |
| 100 | 267438-4 | FLAT WASHER 5 | | 2 | | | | |
| 101 | 266326-2 | TAPPING SCREW 4X18 | | 2 | | | | |
| 102 | 127386-8 | REAR BAG ASSEMBLY M | | 1 | | | | |
| D10 | | INC. 104-108 | | | | | | |
| 104 | 273676-8 | GRIP B | | 1 | | | | |
| 105 | 459807-5 | REAR BAG COVER | | 1 | | | | |
| 106 | 266326-2 | TAPPING SCREW 4X18 | | 2 | | | | |
| 107 | 162680-1 | REAR BAG | | 1 | | | | |
| 108 | 459806-7 | INDICATOR M | | 1 | | | | |
| 109 | 224445-0 | OUTER FLANGE 40 | | 1 | | | | |
| 110 | 688238-3 | LINE FILTER | | 1 | | | | |
| A01 | 782210-8 | SOCKET WRENCH 17 | | 1 | | | | |
| A02B | ***DC18RD | DC18RD TWO PORT FAST CHARGER | | 1 | | | | |

Please order the parts with part number.

Print Date 6/12/2020

Model No.DLM432 430MM CORDLESS LAWN MOWER

| Item | Parts No. | Description | I/C | QTY | New/Old | Opt. 1 | Opt. 2 | NOTE |
|------|-----------|---------------------|-----|-----|---------|--------|--------|------|
| D10 | | COMPO-PARTS | | | | | | |
| A03B | 197280-8 | BATTERY BL1850B SET | | 2 | | | | |
| E01 | 817C33-4 | SOUND 92DB LABEL | | 1 | | | | |

Please order the parts with part number.

Print Date 6/12/2020