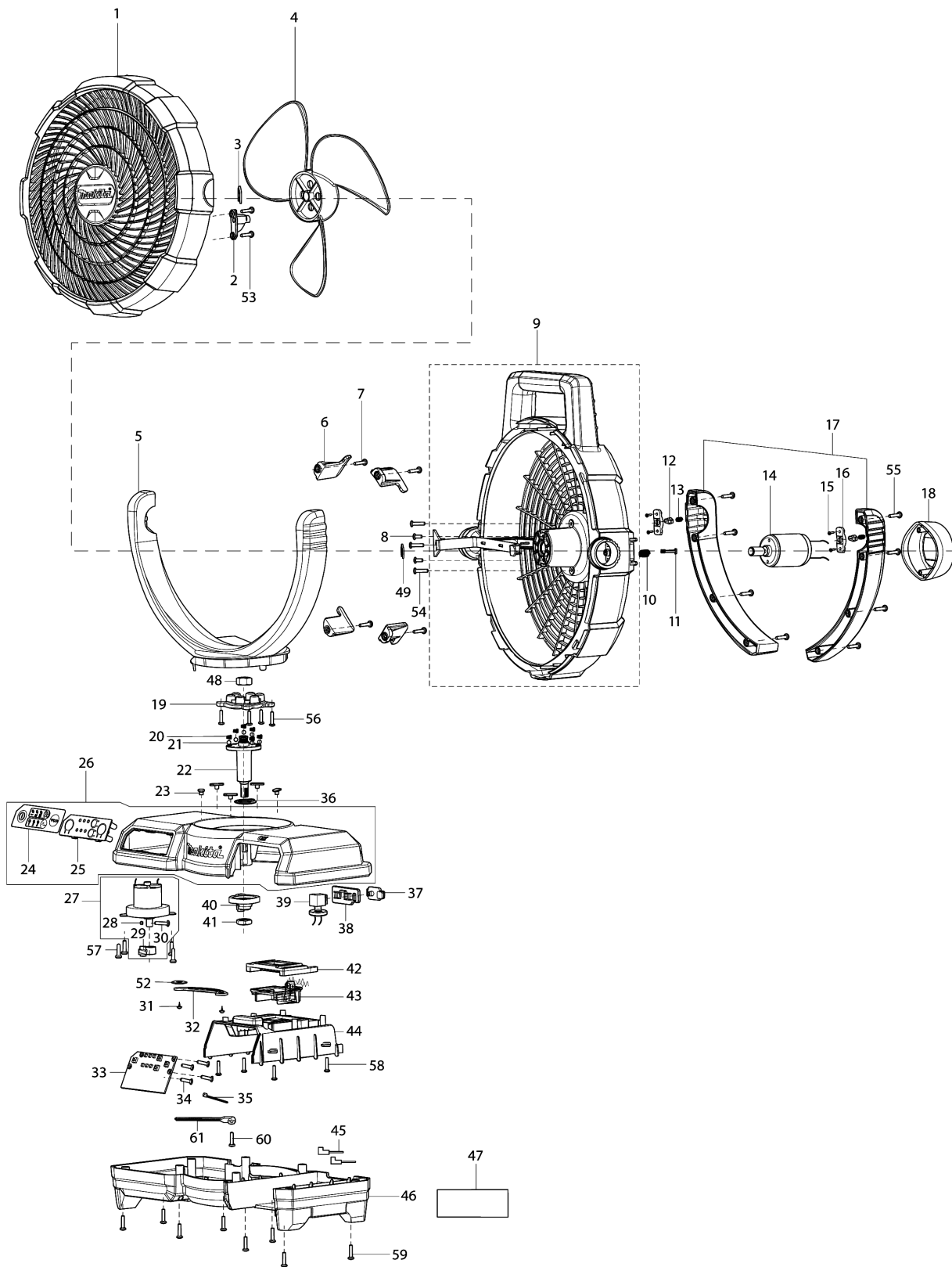


### Model No.CF001G CORDLESS FAN





## Model No.CF001G CORDLESS FAN

Item	Parts No.	Description	I/C	QTY	New/Old	Opt. 1	Opt. 2	NOTE
001	TE00000445	FRONT COVER OF THE BODY(BLUE)		1				
002	TE00000362	RELEASE BUTTON		1				
003	TE00000373	CIRCLIP		1				
004	TE00000446	FAN BLADE		1				
005	TE00000375	FRONT COVER OF STAND		1				
006	TE00000376	SHELL HOOK(BLUE)		4				
007	TE00000028	TAPPING SCREW 3X14		4				
008	TE00000030	P.H.SCREW M3X5		2				
009	TE00000447	BACK COVER OF THE BODY		1				
010	TE00000378	SPRING		1				
011	TE00000364	LOCKED SCREW FOR FRONT HOUSING		1				
012	TE00000190	STOPPER		2				
013	TE00000197	SPRING1		2				
014	TE00000448	MOTOR		1				
015	TE00000203	SELF-TAPPING SCREW 2.5X8		4				
016	TE00000189	STOPPER SUPPORT		2				
017	TE00000381	BACK COVER OF THE SUPPORT LR		1				
018	TE00000011	MOTOR COVER		1				
019	TE00000062	COUPLING		1				
020	TE00000064	COMPRESSION SPRING-5		6				
021	TE00000063	STEEL BALL 6		6				
022	TE00000382	PRINCIPAL AXIS		1				
023	TE00000089	POM PLATE		5	*			
023-1	TE00000474	POM PLATE	O	5				
024	TE00000365	SWITCH LABEL		1				
025	TE00000384	SWITCH PANEL		1				
026	TE00000449	UPPER BASE (BLUE)		1				
D10		INC. 24,25						
027	TE00000386	SUB MOTOR		1				
D10		INC. 28-30						
028	TE00000281	NUT M3		1				
029	TE00000282	SHAKE HEAD-POM 2		1				
030	TE00000102	PHILLIPS HEAD SCREW M3X14		1				
031	TE00000256	TAPPING SCREW 3X8		2				
032	TE00000277	SHAKE HEAD -CONNECTION IRON		1				
033	TE00000387	CONTROLLER		1	*			
033-1	TE00000476	CONTROLLER	O	1				
034	TE00000388	SCREW 3X10		4				
035	TE00000407	CABLE TIE		1				
036	TE00000090	POM FLAT WASHER 16		1				

Please order the parts with part number.

Print Date 1/14/2021

## Model No.CF001G CORDLESS FAN

Item	Parts No.	Description	I/C	QTY	New/Old	Opt. 1	Opt. 2	NOTE
037	TE00000018	ADAPTER SOCKET CAP		1				
038	TE00000389	ADAPTOR PLATE		1				
039	TE00000390	DC CHARGE BASE		1				
040	TE00000274	SHAKE HEAD-POM 1		1				
041	TE00000450	NUT M8		1				
042	TE00000451	TERMINAL HOLDER (BLUE)		1				
043	TE00000452	TERMINAL		1				
044	TE00000453	BATTERY HOUSING (BLUE)		1				
045	TE00000394	LEAD UNIT		1				
046	TE00000454	LOWER COVER OF THE BASE		1				
047	TE00000458	RATING LABEL		1				
048	TE00000069	LOCKNUT M10		1				
049	TE00000370	CIRCLIP M3		1				
052	TE00000408	WASHER		1				
053	TE00000028	TAPPING SCREW 3X14		2				
054	TE00000028	TAPPING SCREW 3X14		3				
055	TE00000028	TAPPING SCREW 3X14		8				
056	TE00000028	TAPPING SCREW 3X14		4				
057	TE00000028	TAPPING SCREW 3X14		4				
058	TE00000028	TAPPING SCREW 3X14		4				
059	TE00000028	TAPPING SCREW 3X14		8				
060	TE00000028	TAPPING SCREW 3X14		1				
061	TE00000464	PERFORATED CABLE TIE		1				
A01	TE00000168	AC ADAPTOR		1				

Please order the parts with part number.

Print Date 1/14/2021